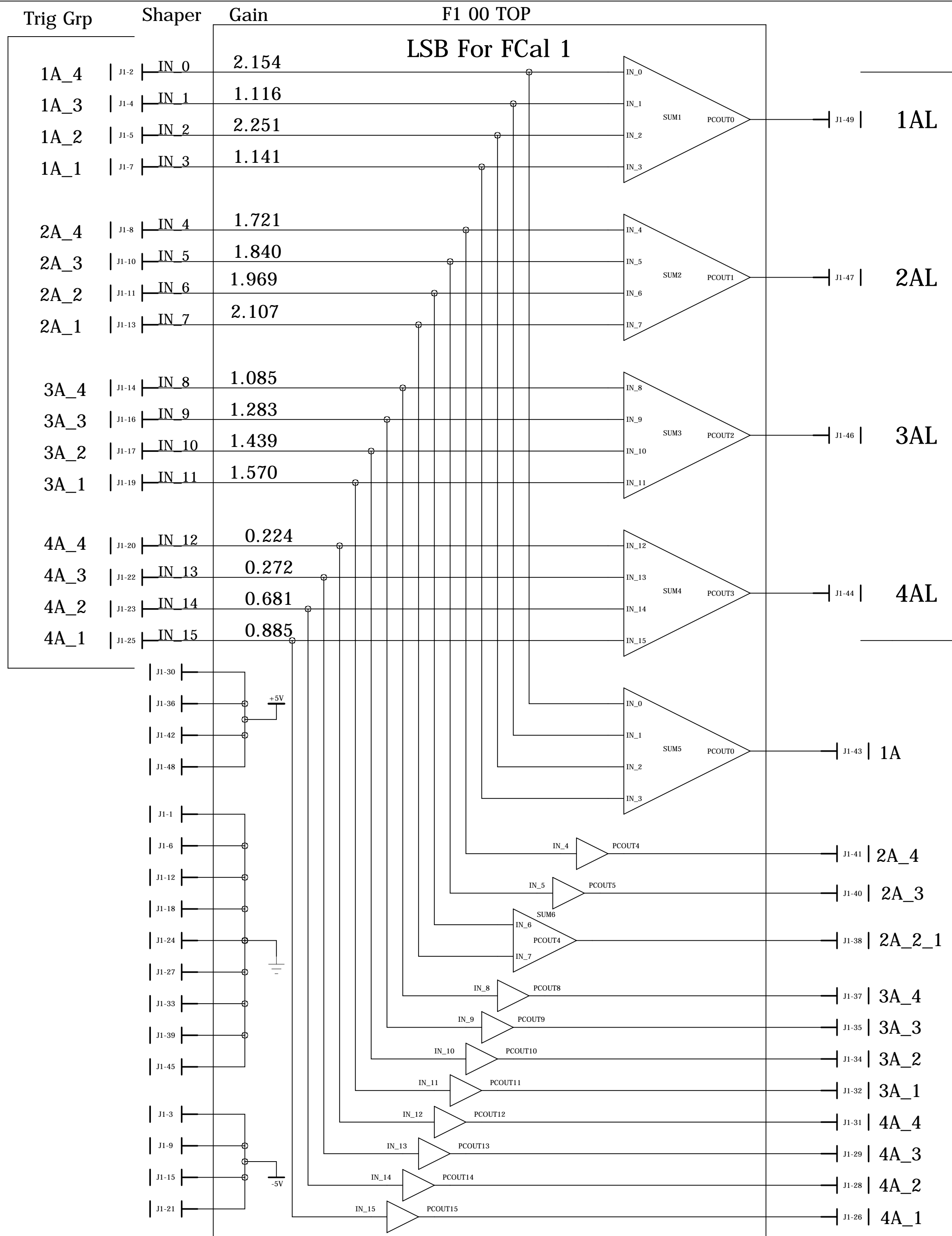


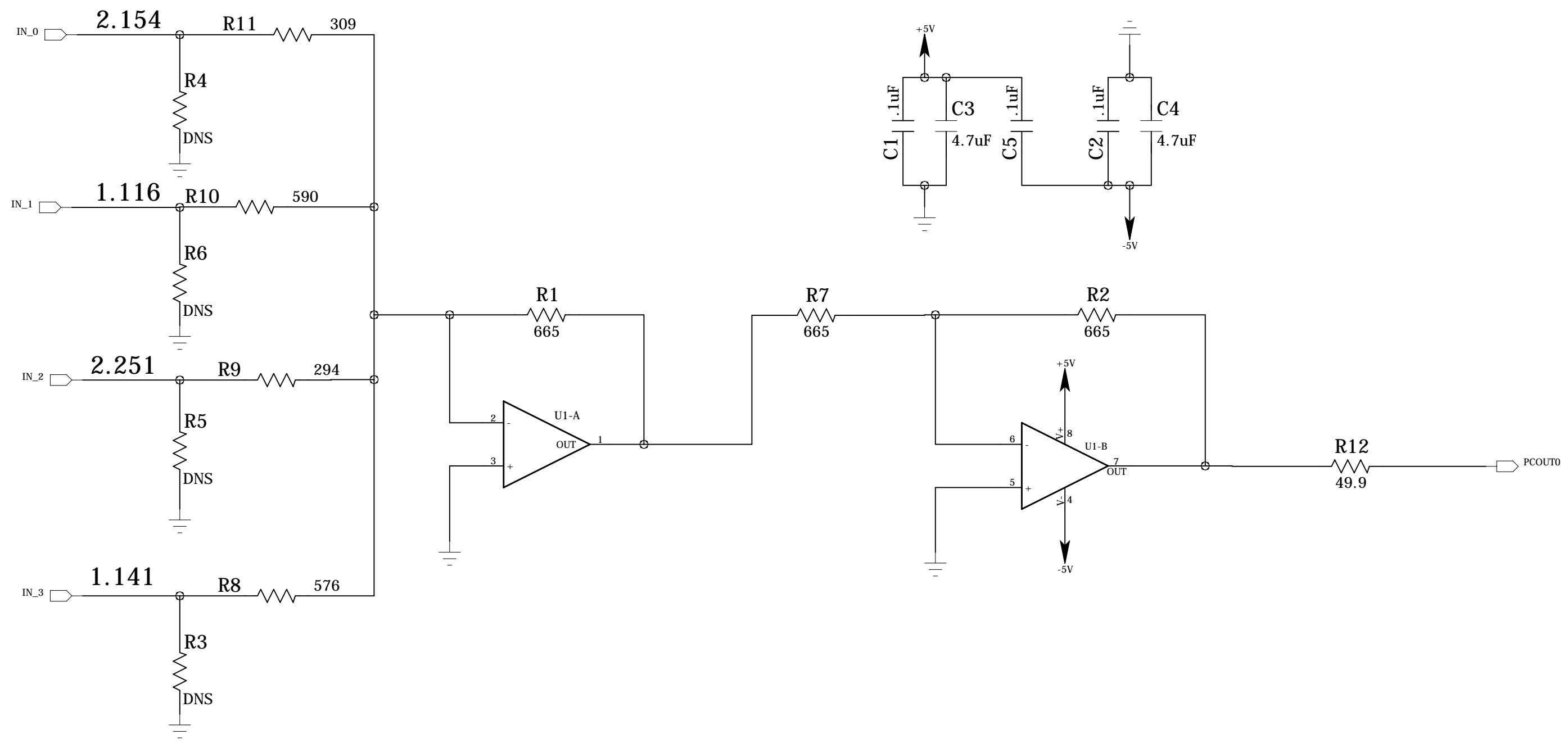
From Shapers



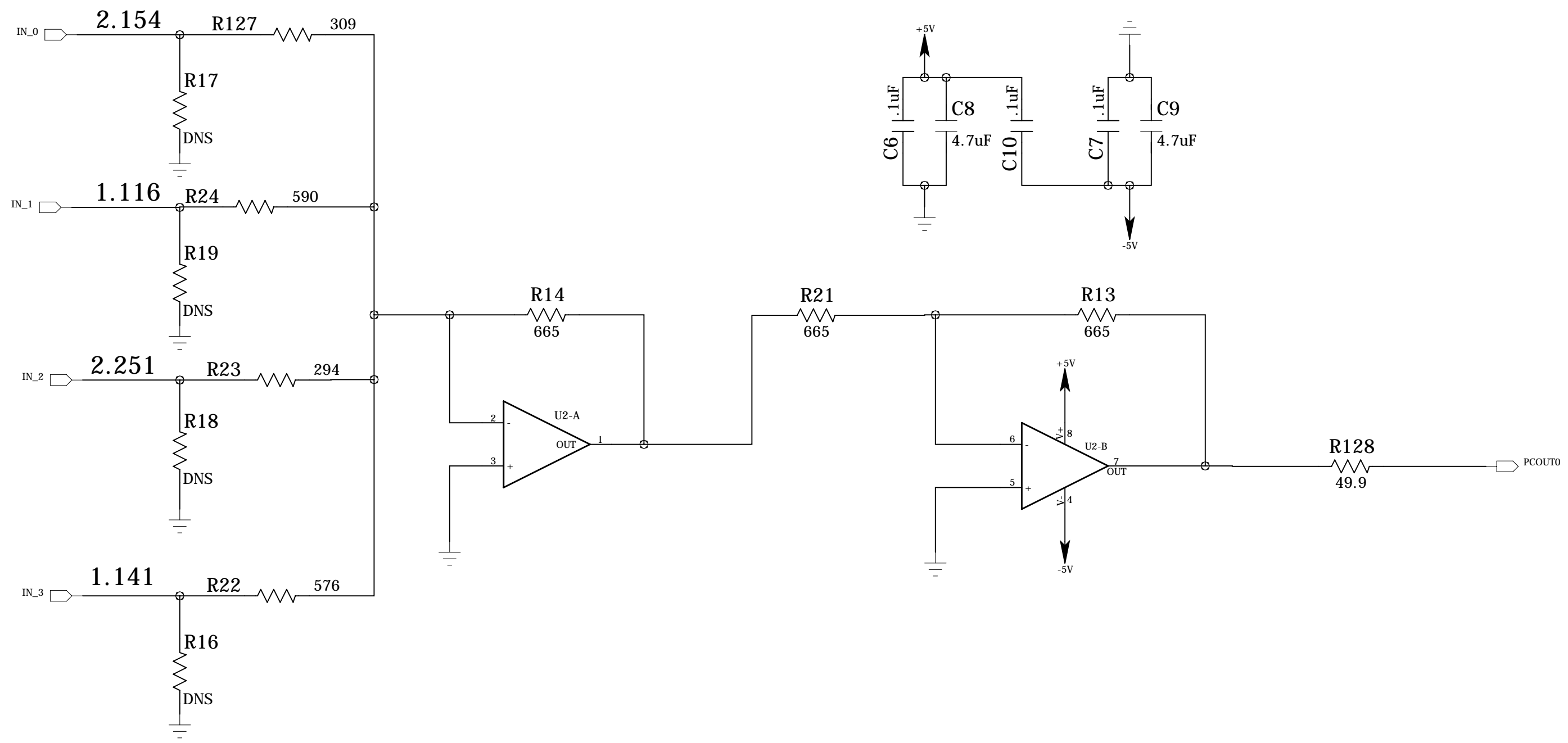
To TDB

To LTDB

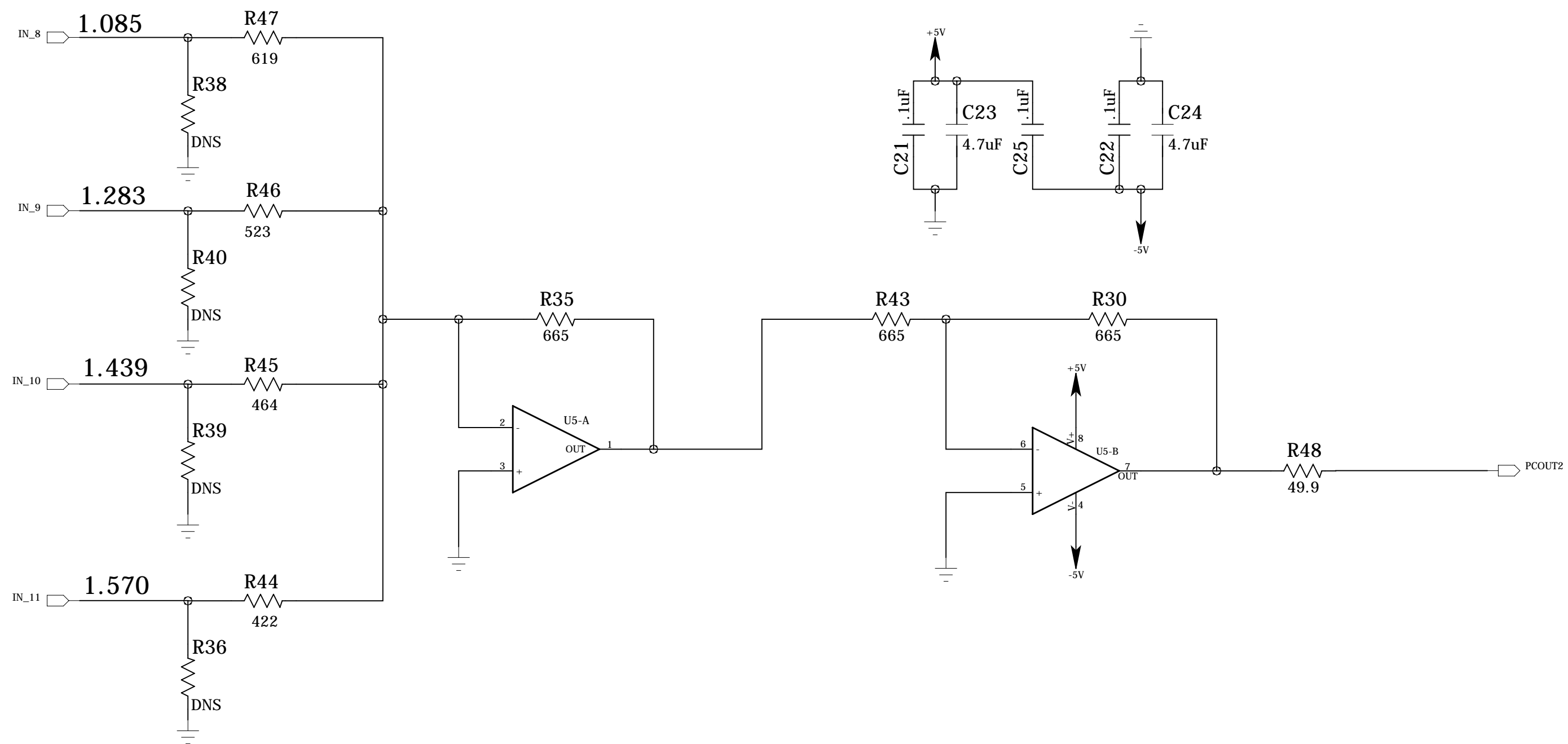
Sheet: TOP_LEVEL	
PCB0248 FCal 1 LSB REV B	
DWT	6/9/2015
University of Arizona	1 of 17



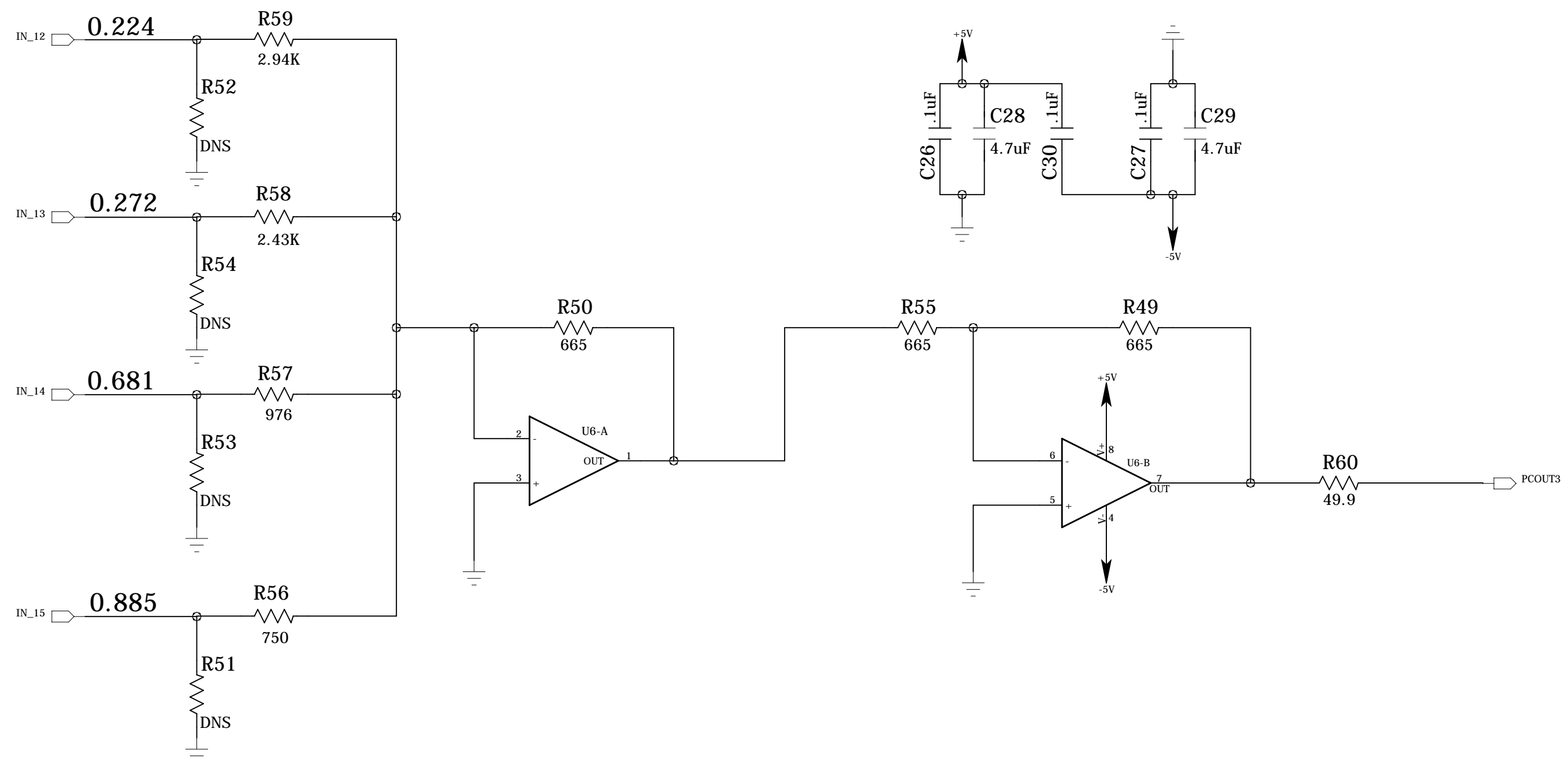
Sheet: SUM1	
PCB0248 FCal 1 LSB REV B	
DWT	6/9/2015
University of Arizona	2 of 17



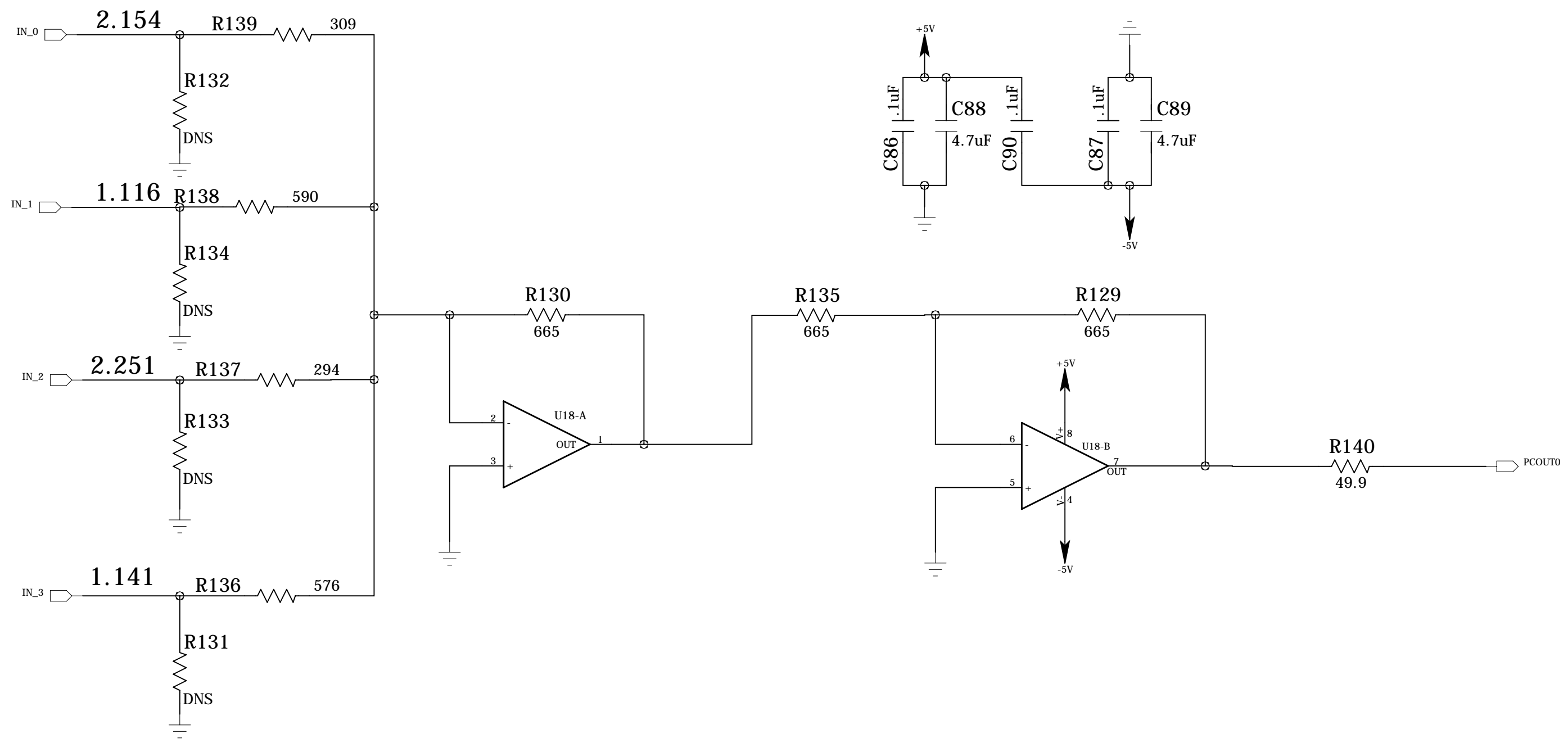
Sheet: SUM2	
PCB0248 FCal 1 LSB REV B	
DWT	6/9/2015
University of Arizona	3 of 17



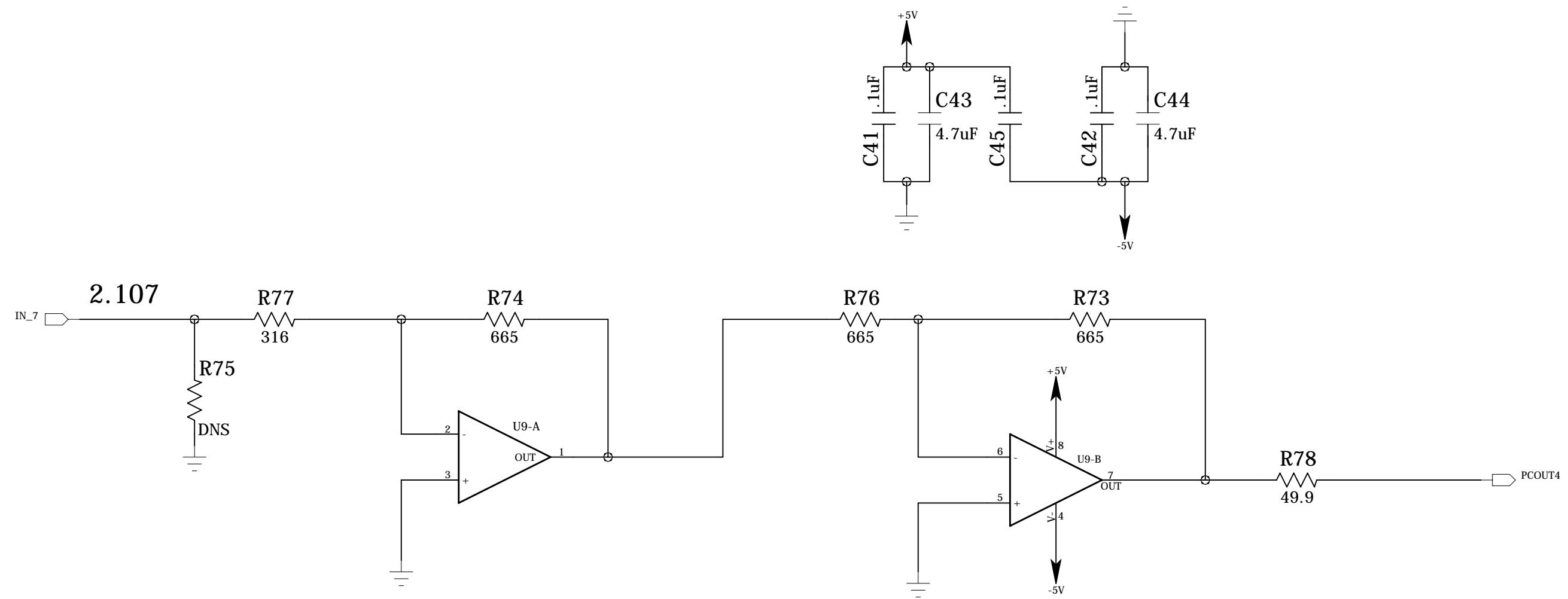
Sheet: SUM3	
PCB0248 FCal 1 LSB REV B	
DWT	6/9/2015
University of Arizona	4 of 17



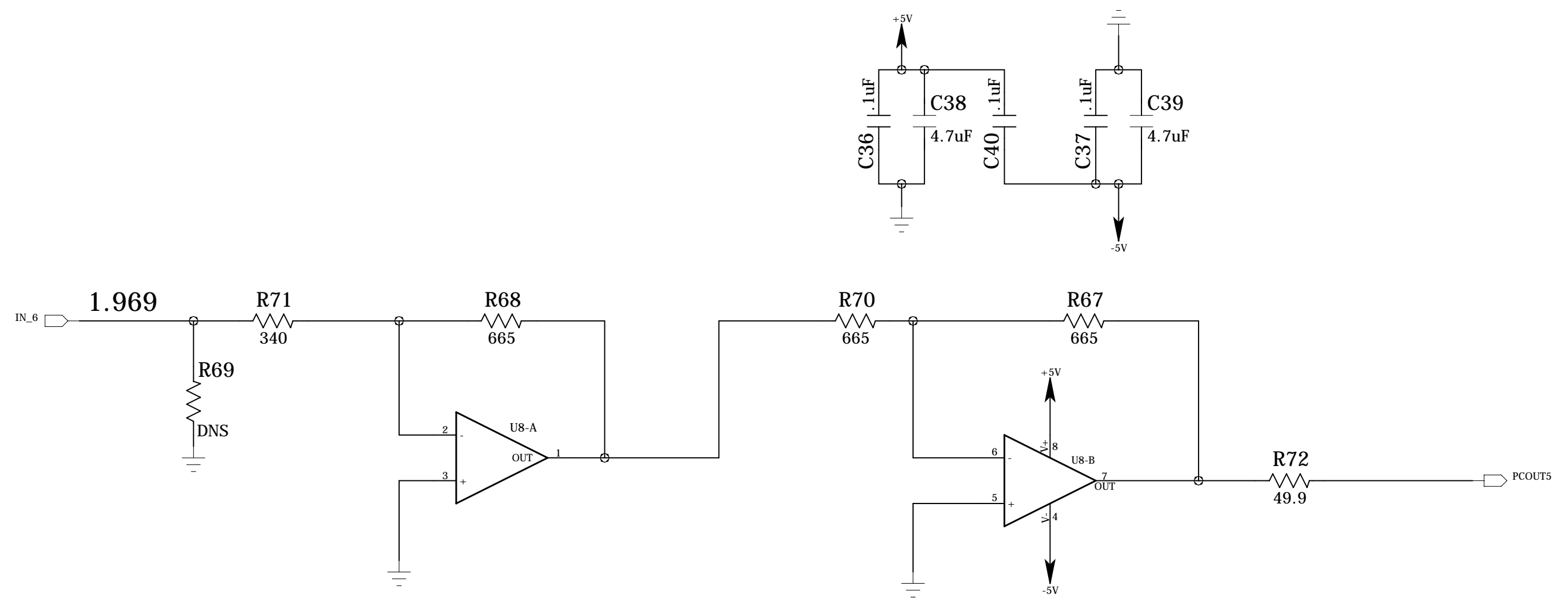
Sheet: SUM4	
PCB0248 FCal 1 LSB REV B	
DWT	6/9/2015
University of Arizona	5 of 17



Sheet: SUM5	
PCB0248 FCal 1 LSB REV B	
DWT	6/9/2015
University of Arizona	6 of 17



Sheet: BUFFER01	
PCB0248 FCal 1 LSB REV B	
DWT	6/9/2015
University of Arizona	7 of 17

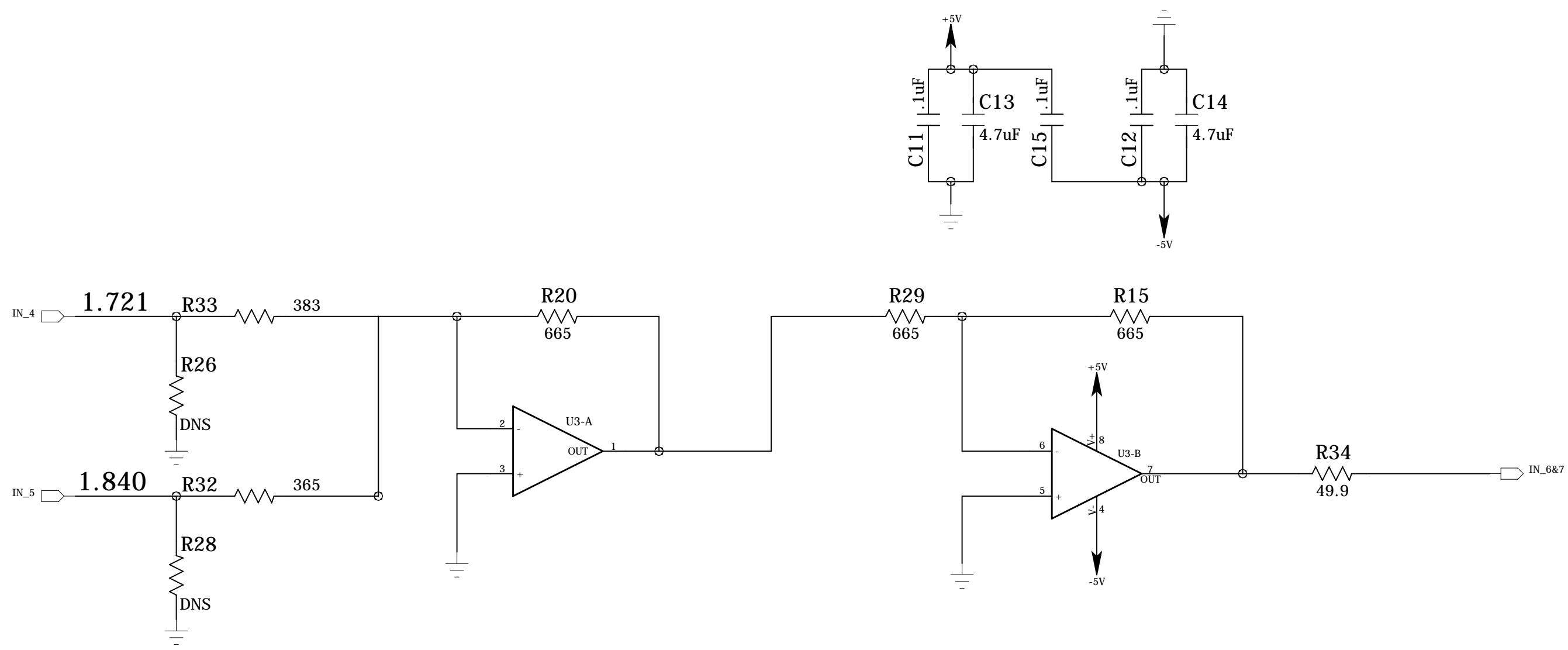


Sheet: BUFFER02

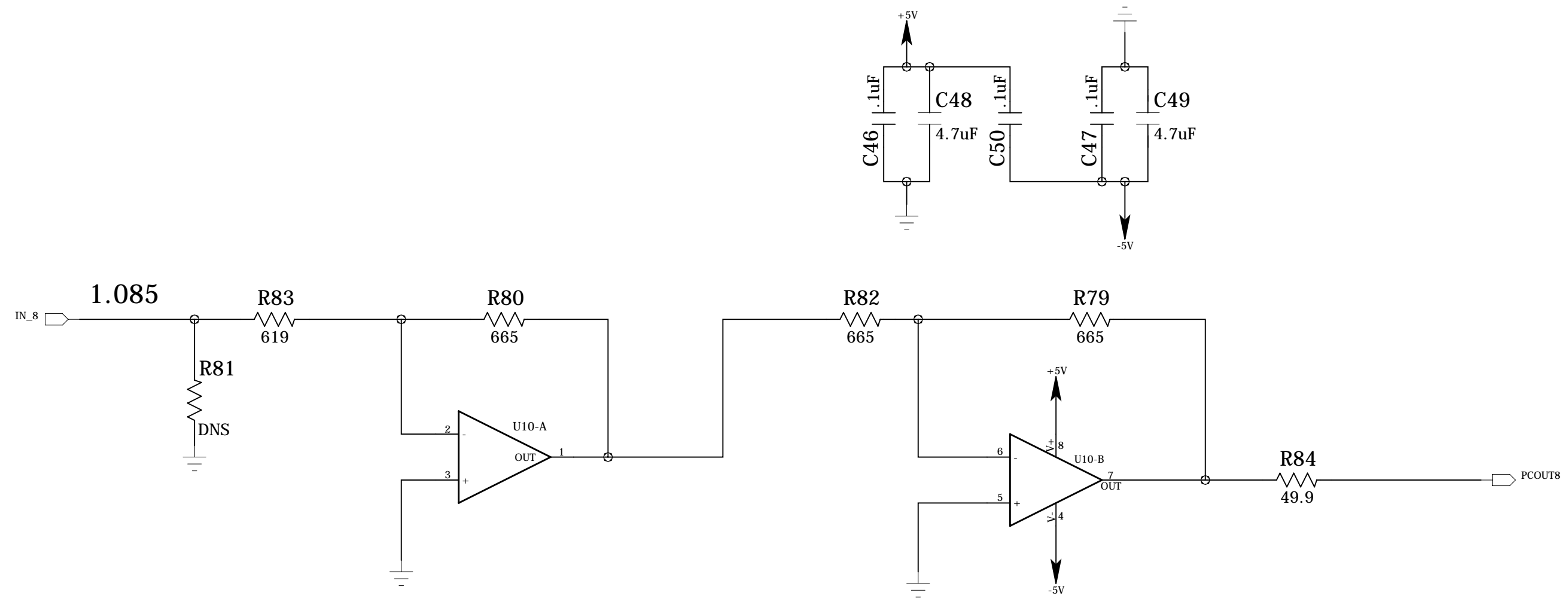
PCB0248 FCal 1 LSB REV B

DWT 6/9/2015

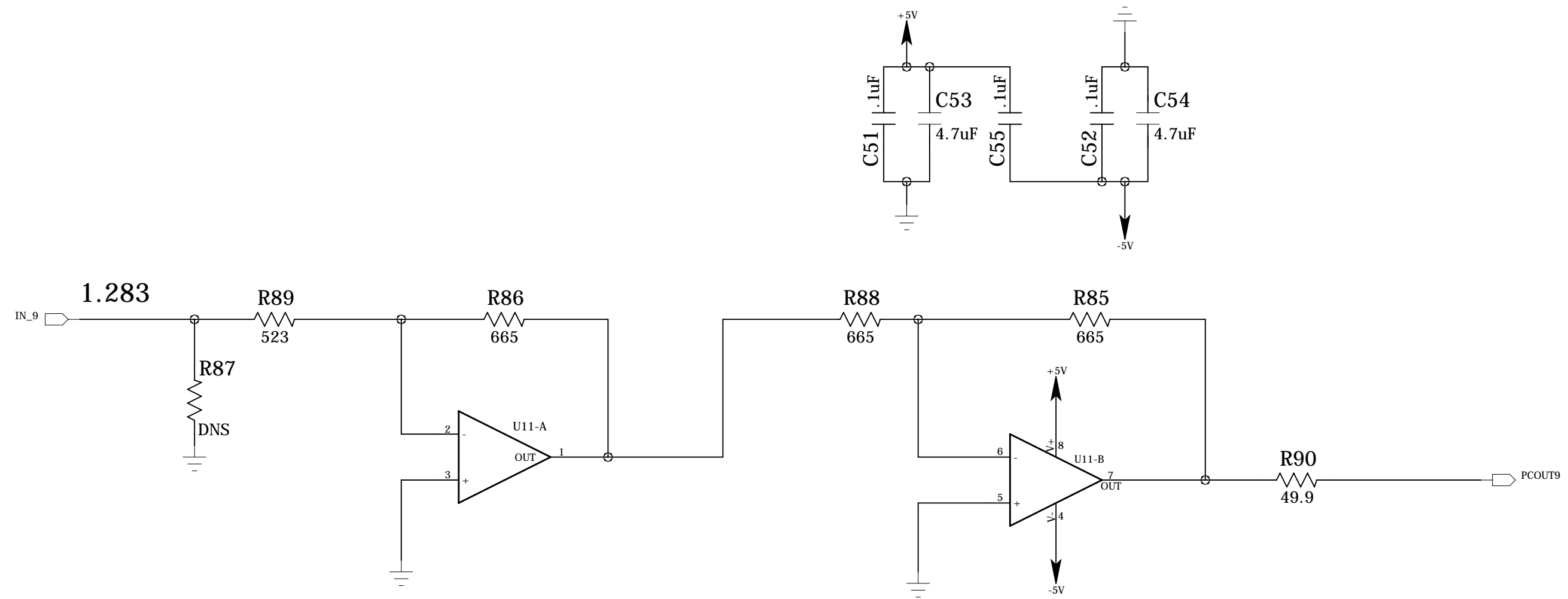
University of Arizona 8 of 17

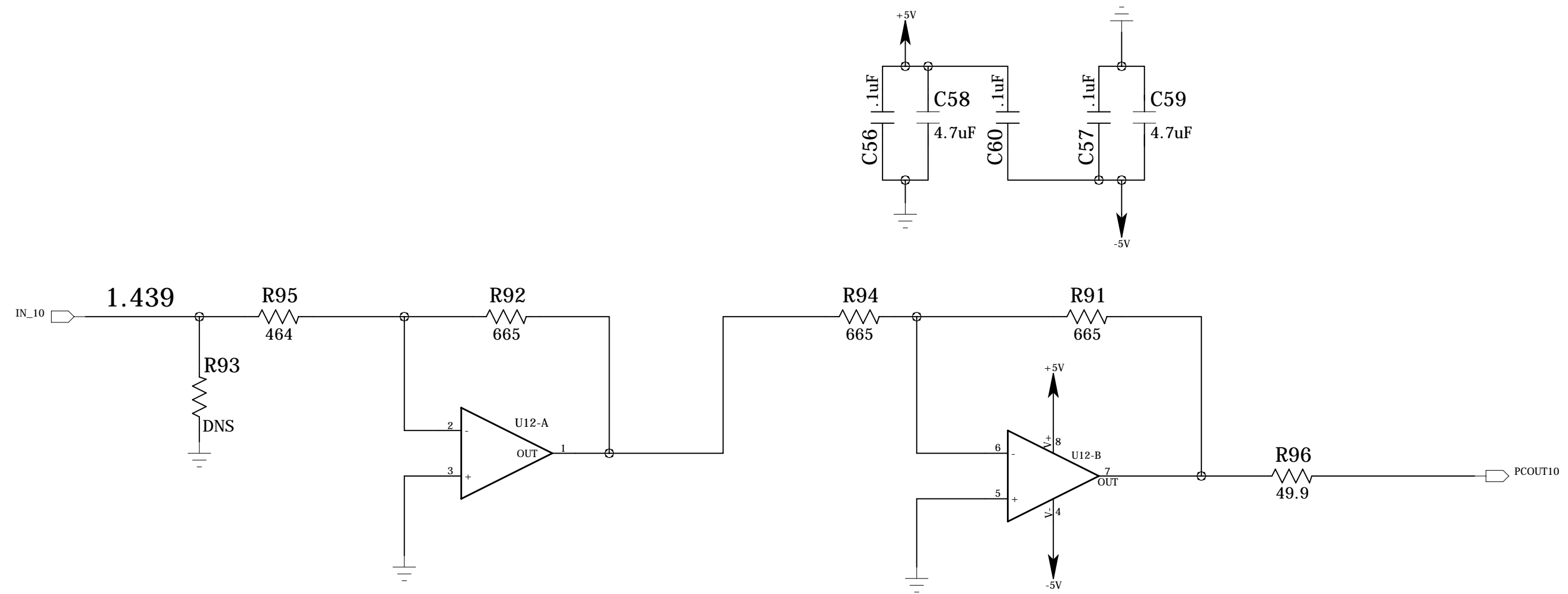


Sheet: SUM6	
PCB0248 FCal 1 LSB REV B	
DWT	6/9/2015
University of Arizona	9 of 17



Sheet: BUFFER03	
PCB0248 FCal 1 LSB REV B	
DWT	6/9/2015
University of Arizona	10 of 17



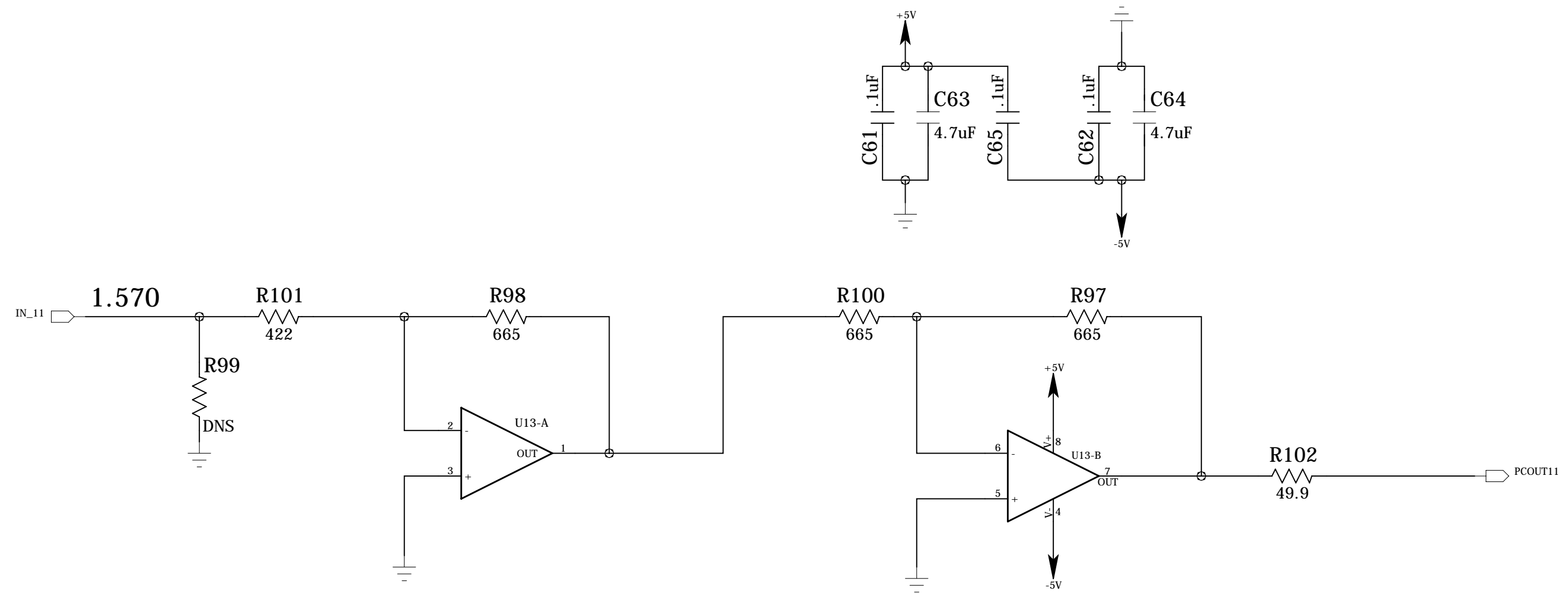


Sheet: BUFFER05

PCB0248 FCal 1 LSB REV B

DWT 6/9/2015

University of Arizona 12 of 17

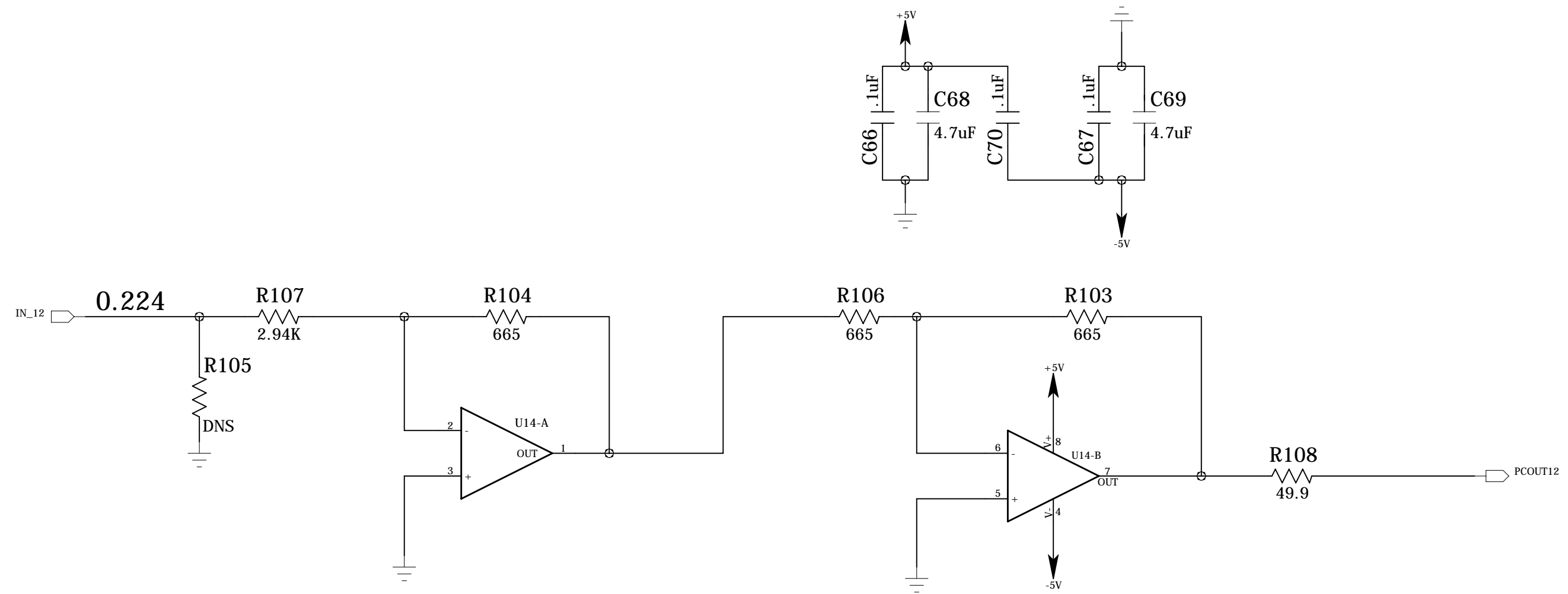


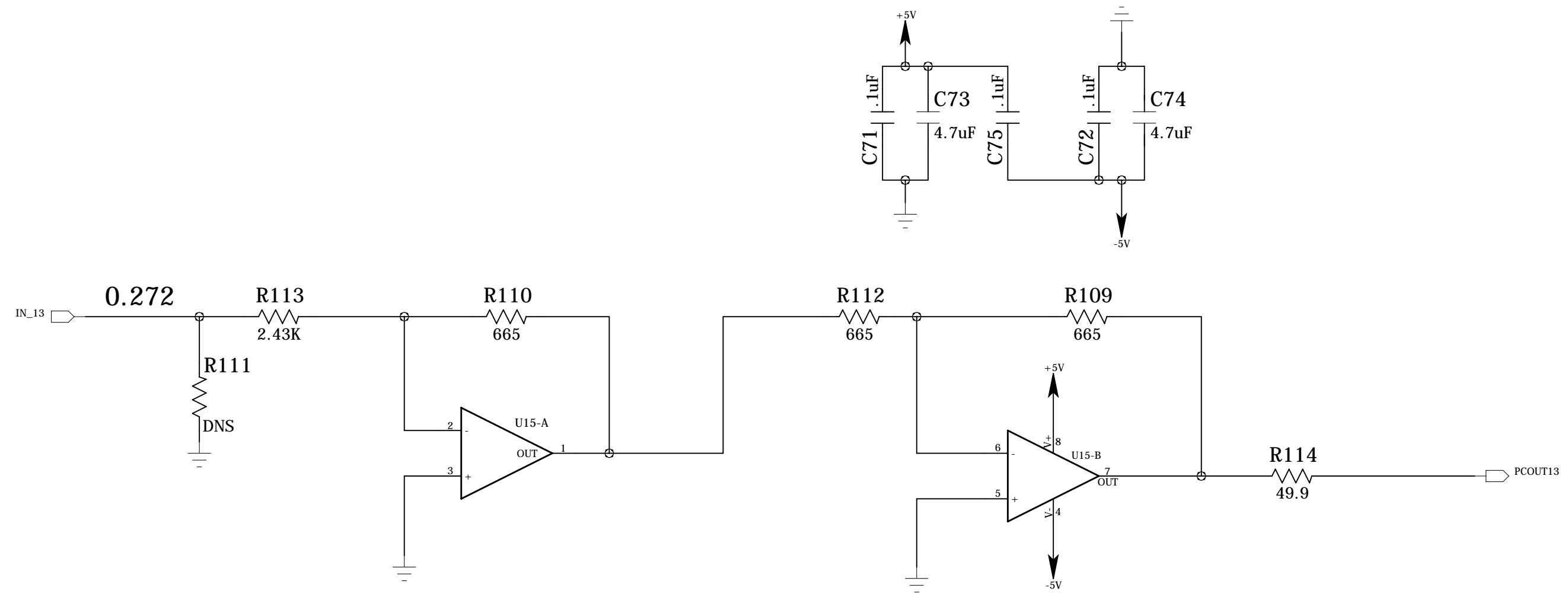
Sheet: BUFFER06

PCB0248 FCal 1 LSB REV B

DWT 6/9/2015

University of Arizona 13 of 17



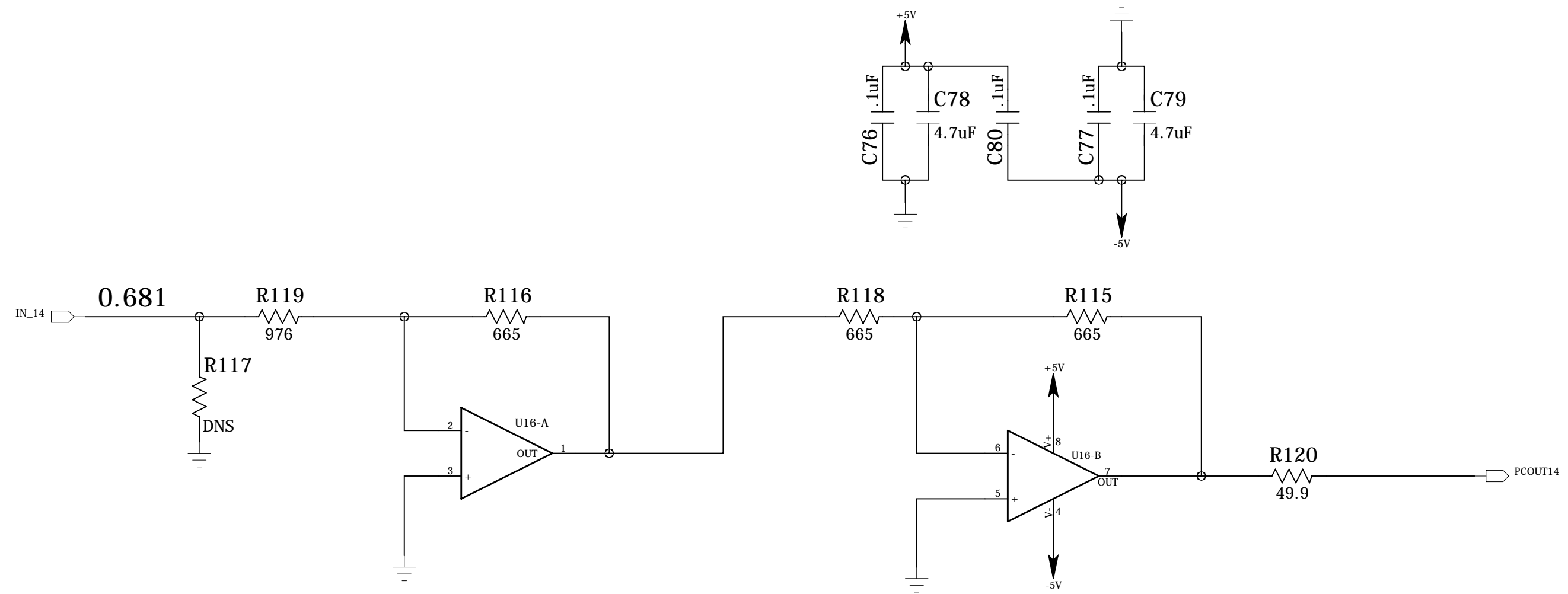


Sheet: BUFFER08

PCB0248 FCal 1 LSB REV B

DWT 6/9/2015

University of Arizona 15 of 17



Sheet: BUFFER09	
PCB0248 FCal 1 LSB REV B	
DWT	6/9/2015
University of Arizona	16 of 17

