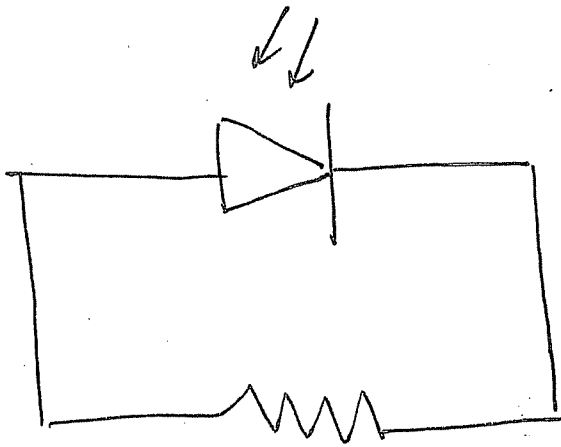


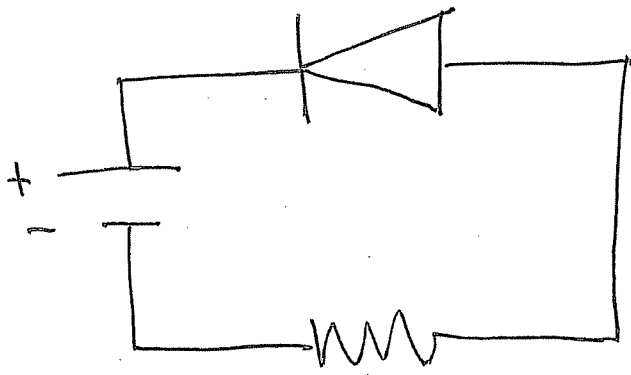
Figure 1



R_2

10K

Figure 2



R_3
1M

Figure 3

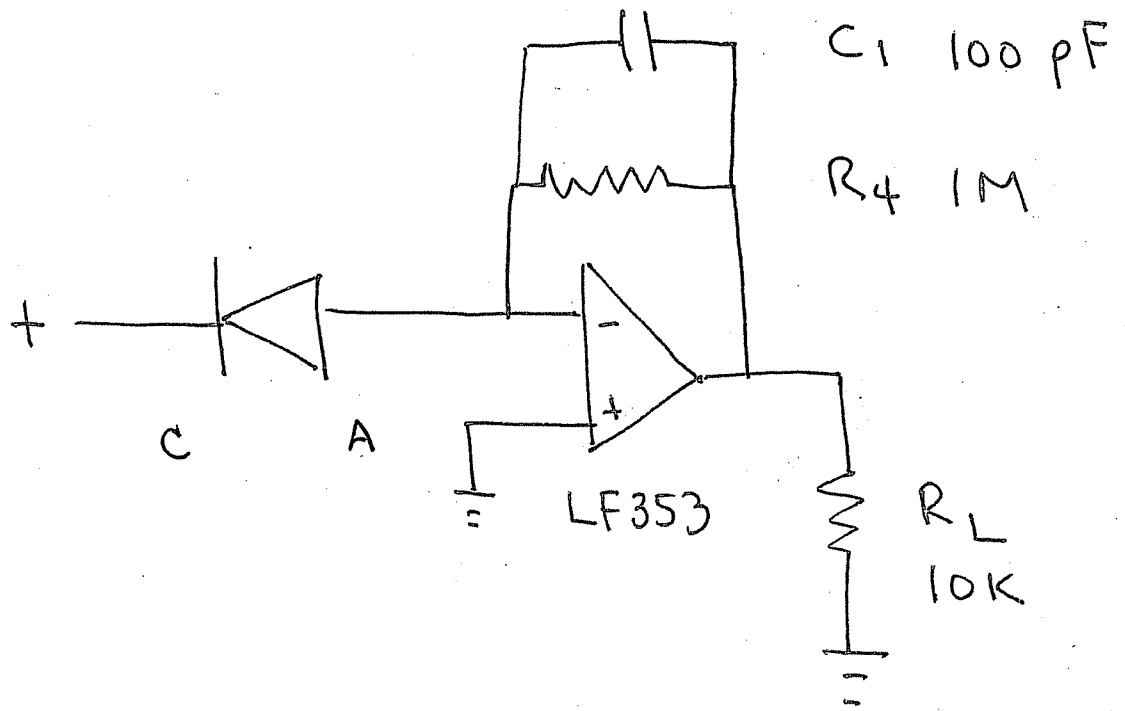


Figure 4