

6

5

4

3

2

1

REVISION RECORD			
LTR	ECO NO:	APPROVED:	DATE:

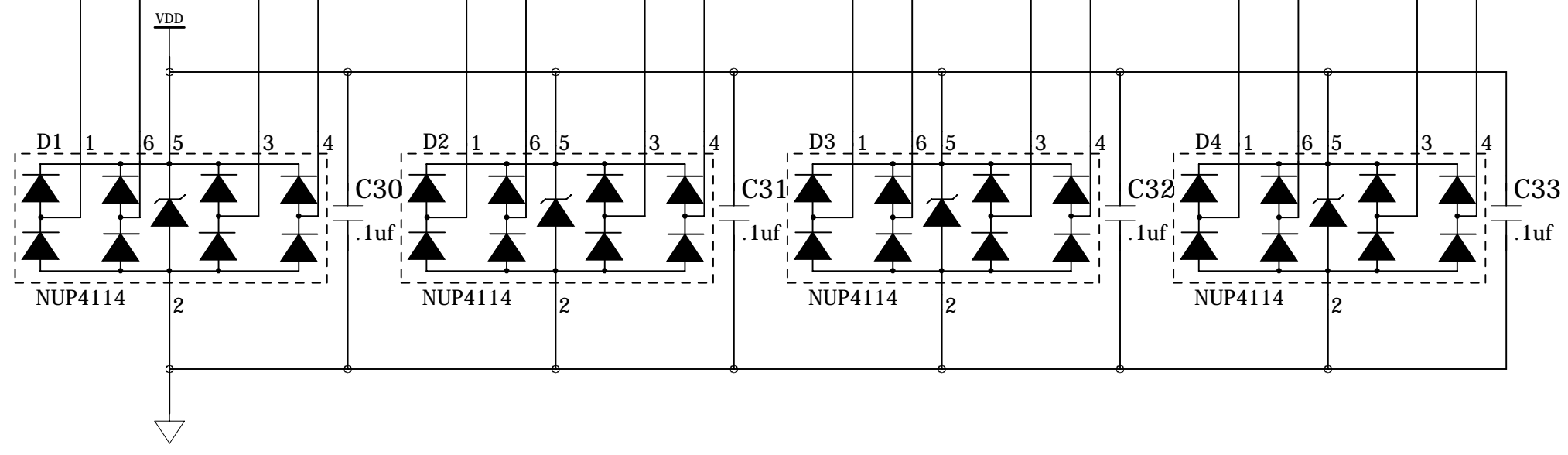
- J1-2 R1 24.9
- J1-3 R2 24.9
- J1-4 R3 24.9
- J1-5 R4 24.9
- J1-6 R5 24.9
- J1-7 R6 24.9
- J1-8 R7 24.9
- J1-9 R8 24.9
- J1-10 R9 24.9
- J1-11 R10 24.9
- J1-12 R11 24.9
- J1-13 R12 24.9
- J1-14 R13 24.9
- J1-15 R14 24.9
- J1-16 R15 24.9
- J1-17 R16 24.9

- R17 24.9 189 AIN-0
- R18 24.9 190 AIN-1
- R19 24.9 191 AIN-2
- R20 24.9 192 AIN-3
- R21 24.9 193 AIN-4
- R22 24.9 194 AIN-5
- R23 24.9 195 AIN-6
- R24 24.9 196 AIN-7
- R25 24.9 197 AIN-8
- R26 24.9 198 AIN-9
- R27 24.9 199 AIN-10
- R28 24.9 200 AIN-11
- R29 24.9 201 AIN-12
- R30 24.9 202 AIN-13
- R31 24.9 7 AIN-14
- R32 24.9 8 AIN-15

U1-A

Analog Inputs

VMM1



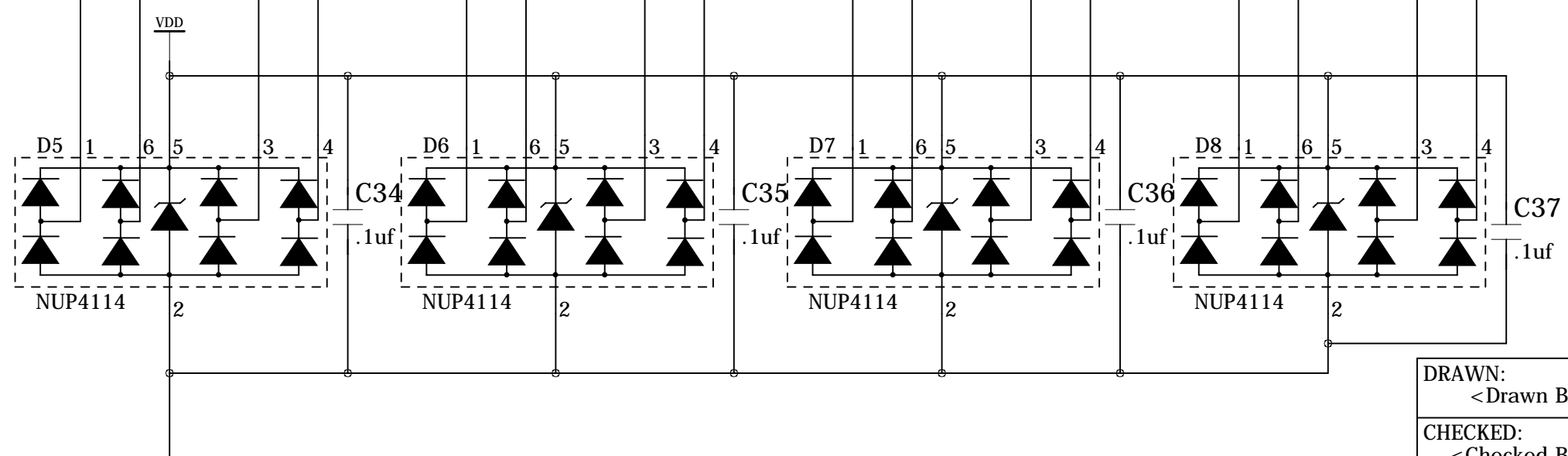
- J1-18 R33 24.9
- J1-19 R35 24.9
- J1-20 R36 24.9
- J1-21 R37 24.9
- J1-22 R38 24.9
- J1-23 R39 24.9
- J1-24 R40 24.9
- J1-25 R41 24.9
- J1-26 R42 24.9
- J1-27 R43 24.9
- J1-28 R44 24.9
- J1-29 R45 24.9
- J1-30 R46 24.9
- J1-31 R47 24.9
- J1-32 R48 24.9
- J1-33 R49 24.9

- R34 24.9 9 AIN-16
- R50 24.9 10 AIN-17
- R51 24.9 11 AIN-18
- R52 24.9 12 AIN-19
- R53 24.9 13 AIN-20
- R54 24.9 14 AIN-21
- R55 24.9 15 AIN-22
- R56 24.9 16 AIN-23
- R57 24.9 17 AIN-24
- R58 24.9 18 AIN-25
- R59 24.9 21 AIN-26
- R60 24.9 22 AIN-27
- R61 24.9 23 AIN-28
- R62 24.9 24 AIN-29
- R63 24.9 25 AIN-30
- R64 24.9 26 AIN-31

U1-B

Analog Inputs

VMM1



DRAWN: <Drawn By>	DATED: <Drawn Date>
CHECKED: <Checked By>	DATED: <Checked Date>
QUALITY CONTROL: <QC By>	DATED: <QC Date>
RELEASED: <Released By>	DATED: <Release Date>

COMPANY: University of Arizona			
TITLE: Mini-MMFE			
CODE:	SIZE:	DRAWING NO:	REV:
<Code>	C	PCB-0236	B
SHEET: 1 of 5			

6

5

4

3

2

1

REVISION RECORD			
LTR	ECO NO:	APPROVED:	DATE:

- J1-34 R65 24.9
- J1-35 R67 24.9
- J1-36 R68 24.9
- J1-37 R69 24.9
- J1-38 R70 24.9
- J1-39 R71 24.9
- J1-40 R72 24.9
- J1-41 R73 24.9
- J1-42 R74 24.9
- J1-43 R75 24.9
- J1-44 R76 24.9
- J1-45 R77 24.9
- J1-46 R78 24.9
- J1-47 R79 24.9
- J1-48 R80 24.9
- J1-49 R81 24.9

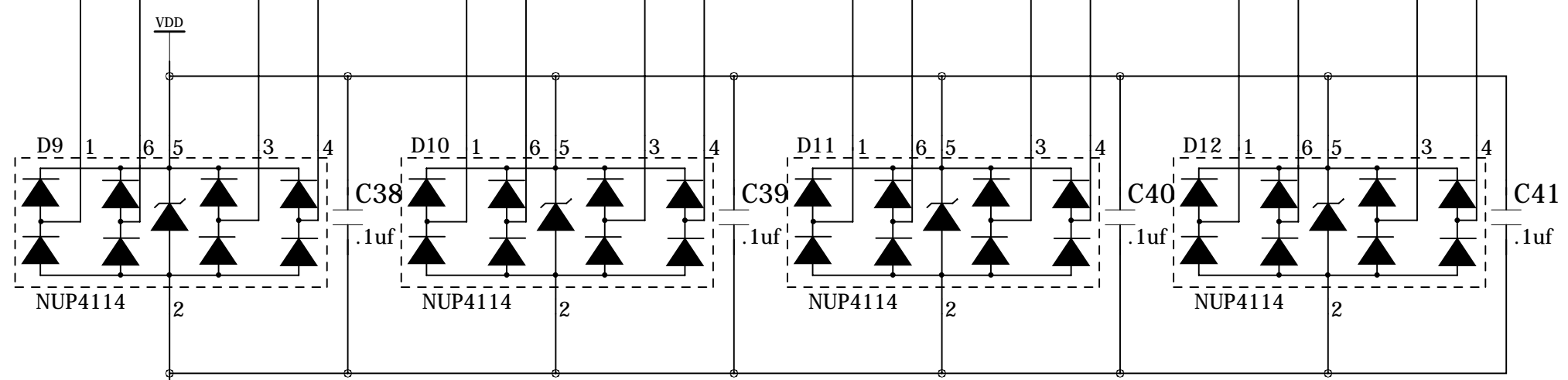
- R66 24.9 27
- R82 24.9 28
- R83 24.9 29
- R84 24.9 30
- R85 24.9 31
- R86 24.9 32
- R87 24.9 35
- R88 24.9 36
- R89 24.9 37
- R90 24.9 38
- R91 24.9 39
- R92 24.9 40
- R93 24.9 41
- R94 24.9 42
- R95 24.9 43
- R96 24.9 44

U1-C

Analog Inputs

VMM1

- J1-66
- J1-67
- J1-68
- J1-69
- J1-70
- J1-71
- J1-72
- J1-73
- J1-74
- J1-75
- J1-76
- J1-77
- J1-78
- J1-79
- J1-80
- J1-81
- J1-82
- J1-83
- J1-84
- J1-85
- J1-86
- J1-87
- J1-88
- J1-89
- J1-90
- J1-91
- J1-92
- J1-93
- J1-94
- J1-95
- J1-96
- J1-97
- J1-98
- J1-99
- J1-100
- J1-101
- J1-102
- J1-103
- J1-104
- J1-105
- J1-106
- J1-107
- J1-108
- J1-109
- J1-110
- J1-111
- J1-112
- J1-113
- J1-114
- J1-115
- J1-116
- J1-117
- J1-118
- J1-119
- J1-120
- J1-121
- J1-122
- J1-123
- J1-124
- J1-125
- J1-126
- J1-127
- J1-128
- J1-129



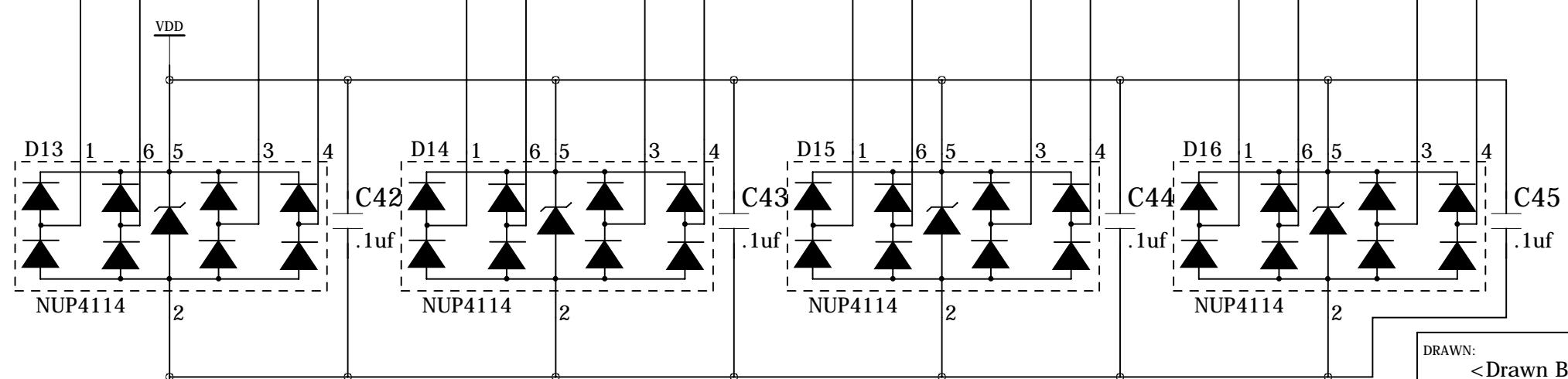
- J1-50 R97 24.9
- J1-51 R99 24.9
- J1-52 R100 24.9
- J1-53 R101 24.9
- J1-54 R102 24.9
- J1-55 R103 24.9
- J1-56 R104 24.9
- J1-57 R105 24.9
- J1-58 R106 24.9
- J1-59 R107 24.9
- J1-60 R108 24.9
- J1-61 R109 24.9
- J1-62 R110 24.9
- J1-63 R111 24.9
- J1-64 R112 24.9
- J1-65 R113 24.9

- R98 24.9 45
- R114 24.9 46
- R115 24.9 59
- R116 24.9 60
- R117 24.9 61
- R118 24.9 62
- R119 24.9 63
- R120 24.9 64
- R121 24.9 65
- R122 24.9 66
- R123 24.9 67
- R124 24.9 68
- R125 24.9 69
- R126 24.9 70
- R127 24.9 71
- R128 24.9 72

U1-D

Analog Inputs

VMM1



- J1-1
- J1-130

DRAWN:	<Drawn By>	DATED:	<Drawn Date>
CHECKED:	<Checked By>	DATED:	<Checked Date>
QUALITY CONTROL:	<QC By>	DATED:	<QC Date>
RELEASED:	<Released By>	DATED:	<Release Date>

COMPANY: University of Arizona

TITLE: Mini-MMFE

CODE:	SIZE:	DRAWING NO:	REV:
<Code>	C	PCB-0236	B

SHEET: 2 of 5

6

5

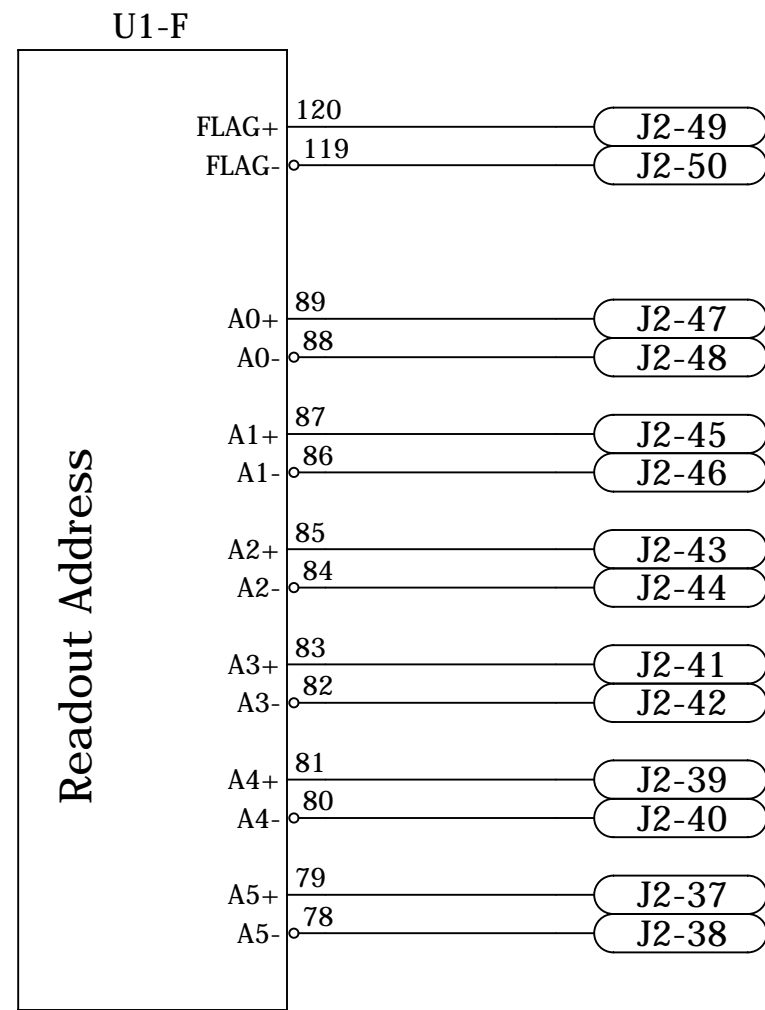
4

3

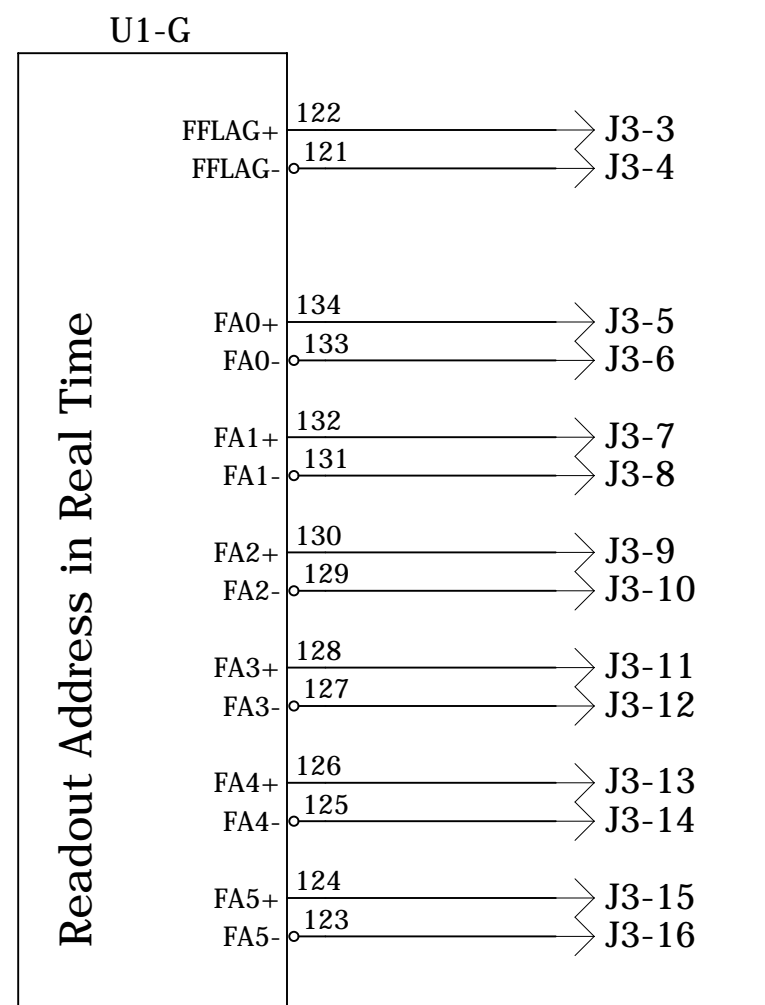
2

1

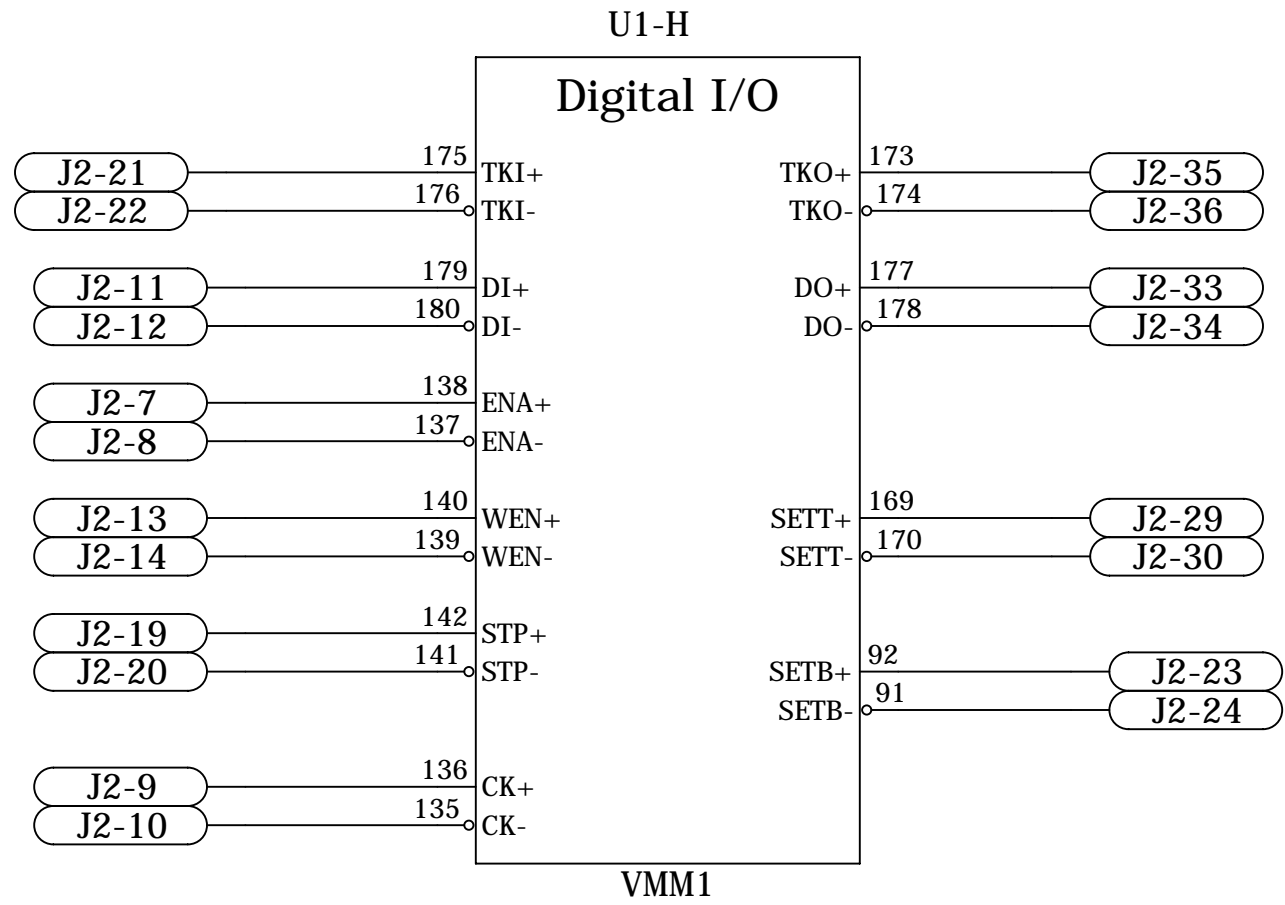
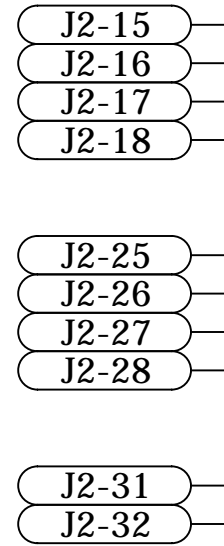
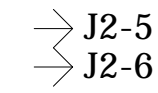
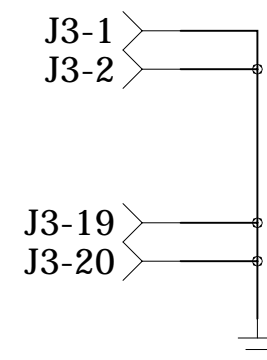
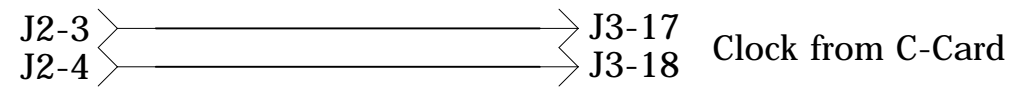
REVISION RECORD			
LTR	ECO NO:	APPROVED:	DATE:



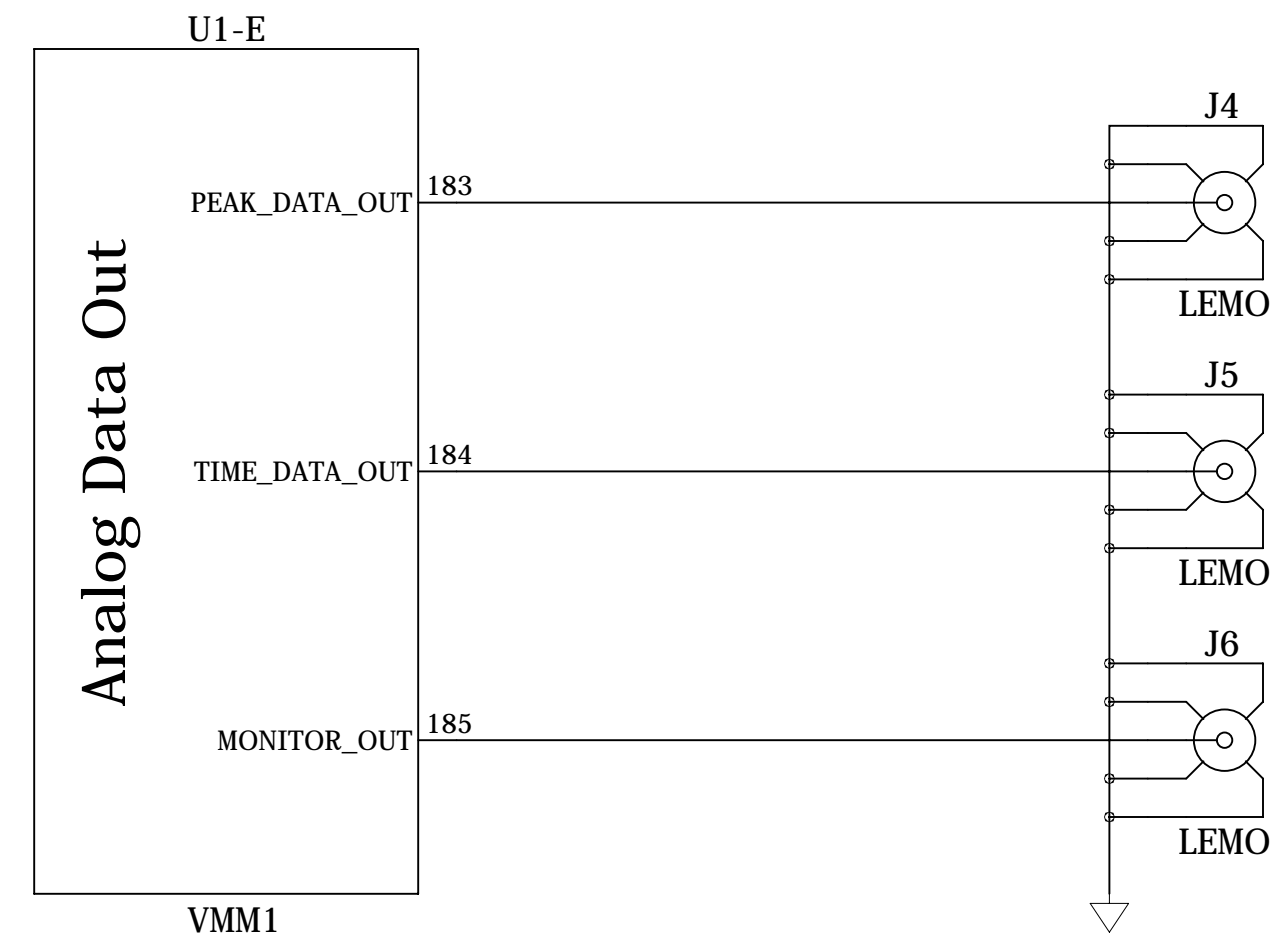
VMM1



VMM1



VMM1



VMM1

COMPANY: University of Arizona			
TITLE: Mini-MMFE			
DRAWN: <Drawn By>	DATED: <Drawn Date>	CODE:	SIZE:
CHECKED: <Checked By>	DATED: <Checked Date>	<Code>	C
QUALITY CONTROL: <QC By>	DATED: <QC Date>	DRAWING NO: PCB-0236	
RELEASED: <Released By>	DATED: <Release Date>	REV: B	

6

5

4

3

2

1

REVISION RECORD			
LTR	ECO NO:	APPROVED:	DATE:

D

D

C

C

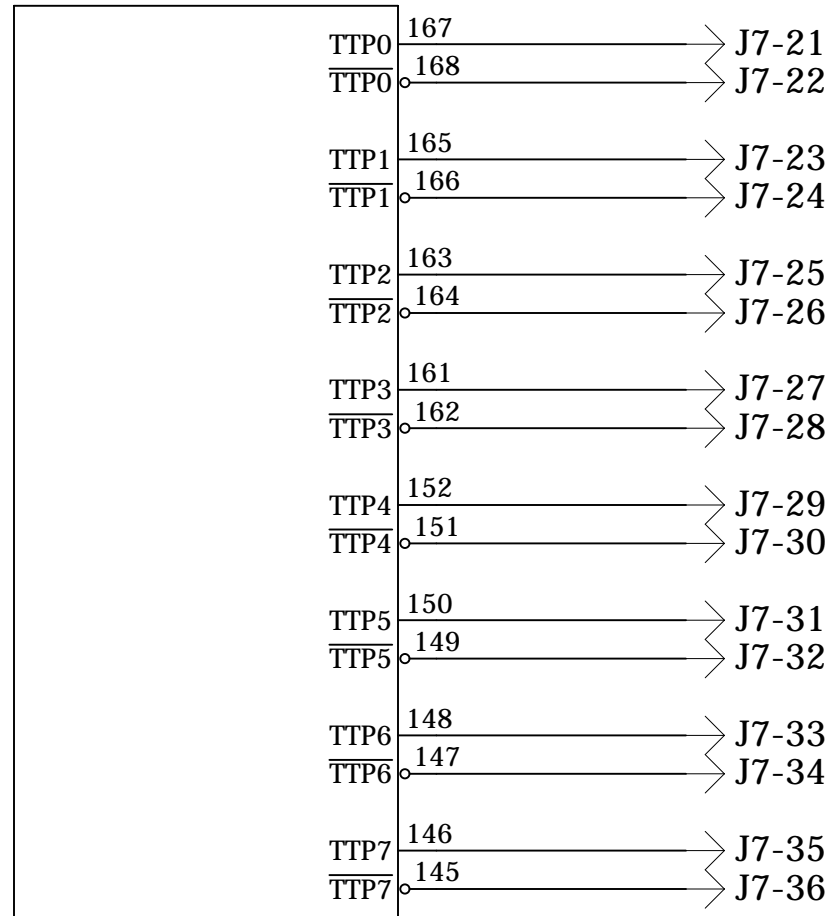
B

B

A

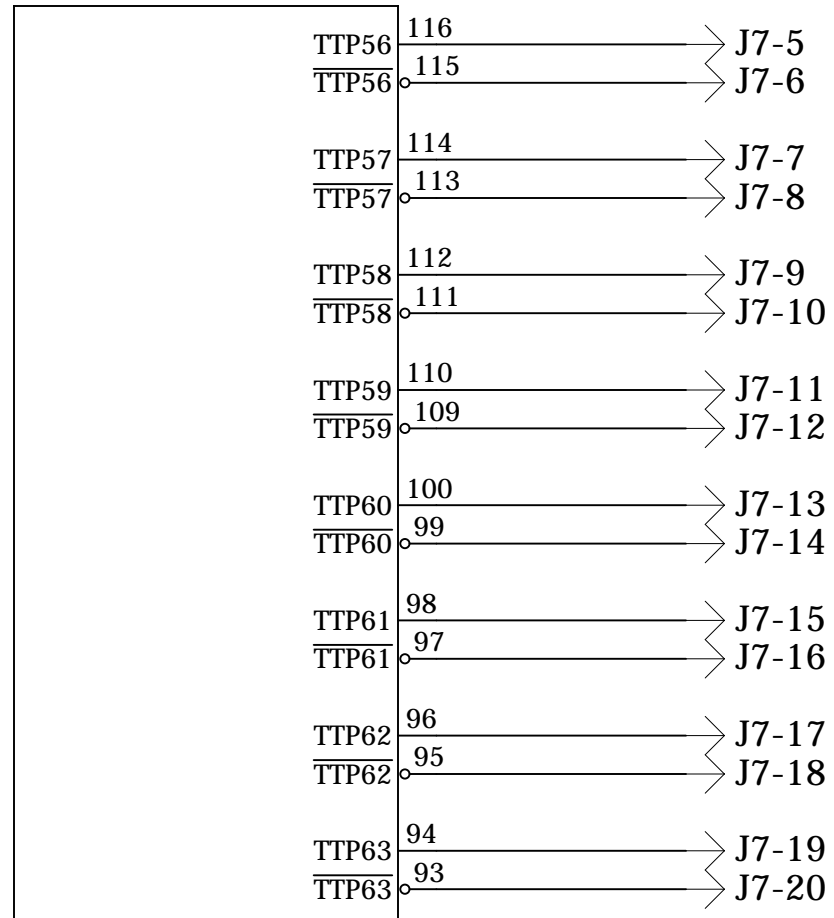
A

U1-J

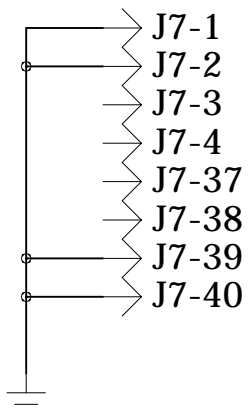


VMM1

U1-K



VMM1



DRAWN: <Drawn By>	DATED: <Drawn Date>
CHECKED: <Checked By>	DATED: <Checked Date>
QUALITY CONTROL: <QC By>	DATED: <QC Date>
RELEASED: <Released By>	DATED: <Release Date>

COMPANY: University of Arizona			
TITLE: Mini-MMFE			
CODE: <Code>	SIZE: C	DRAWING NO: PCB-0236	REV: B
SHEET: 4 of 5			

6

5

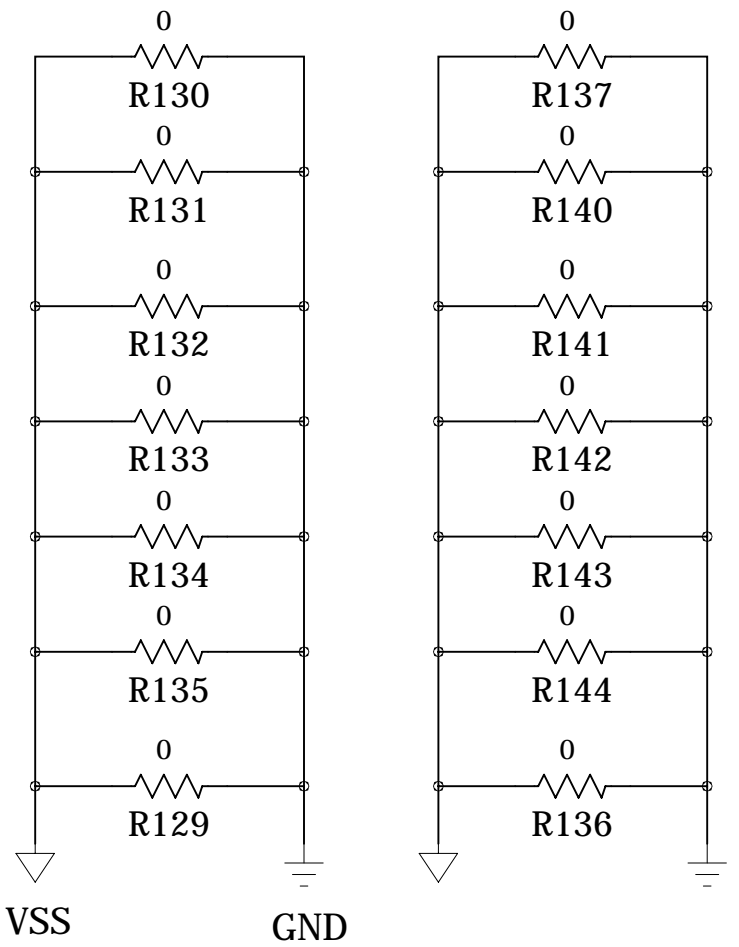
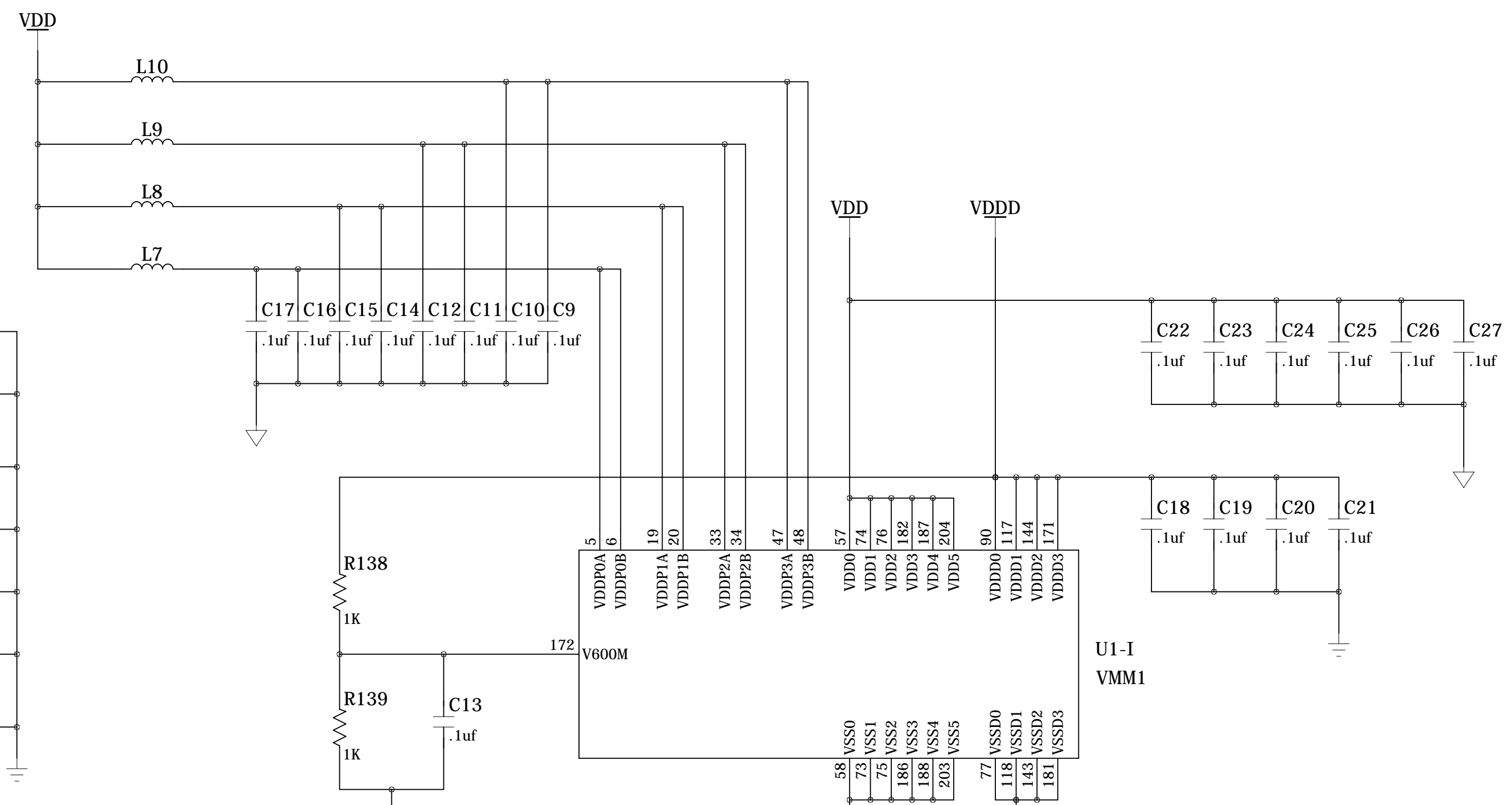
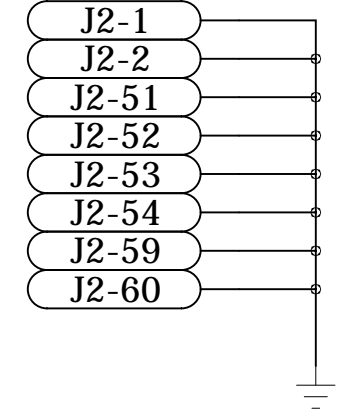
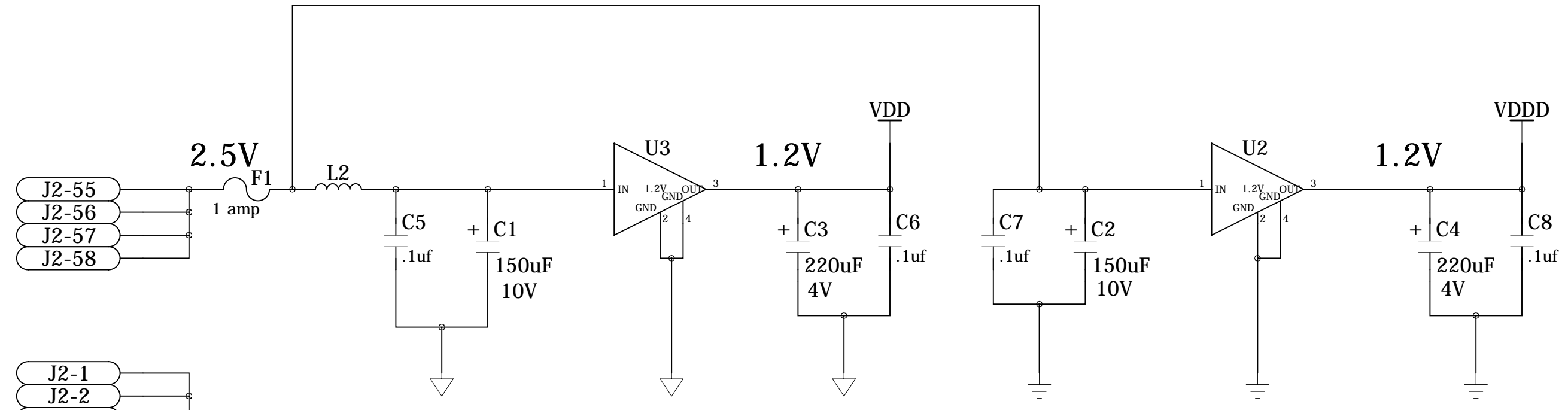
4

3

2

1

REVISION RECORD			
LTR	ECO NO:	APPROVED:	DATE:



D

D

C

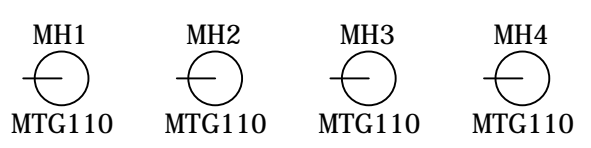
C

B

B

A

A



DRAWN: <Drawn By>	DATED: <Drawn Date>
CHECKED: <Checked By>	DATED: <Checked Date>
QUALITY CONTROL: <QC By>	DATED: <QC Date>
RELEASED: <Released By>	DATED: <Release Date>

COMPANY: University of Arizona			
TITLE: Mini-MMFE			
CODE: <Code>	SIZE: C	DRAWING NO: PCB-0236	REV: B
SHEET: 5 of 5			