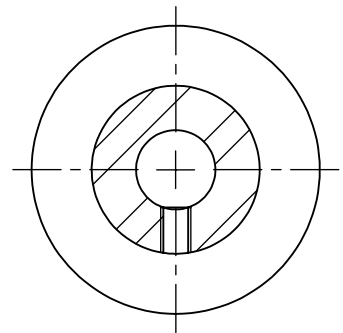
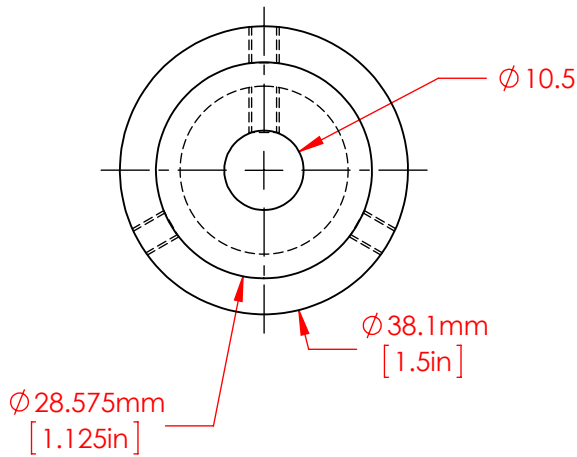


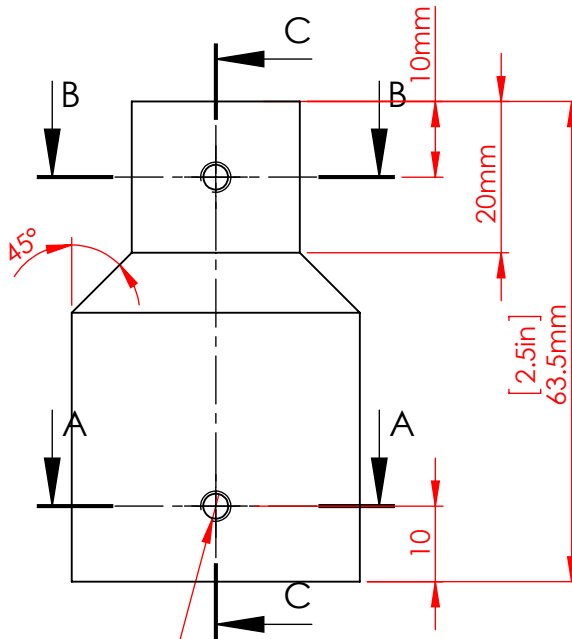
REVISIONS

REV.	DESCRIPTION	DATE	APPROVED
A	INITIAL RELEASE	08/22/2014	RW

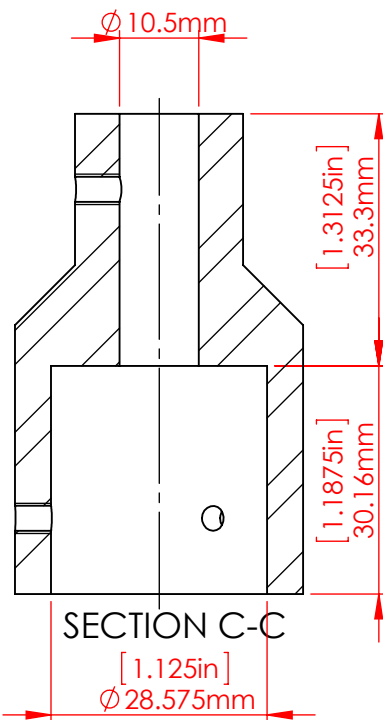
Top View



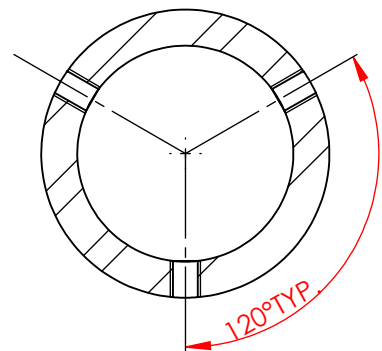
SECTION B-B



4x ϕ 3.3 THRU
M4x0.7 TAPPED



SECTION C-C



SECTION A-A

NOTES:

1. DIMENSIONS IN BOTH MM AND INCHES
2. QTY: 1

UNLESS OTHERWISE SPECIFIED:
DIMENSIONS ARE IN MILLIMETERS
SURFACE FINISH:
TOLERANCES:
LINEAR:
ANGULAR:

FINISH:

DEBUR AND
BREAK SHARP
EDGES

DO NOT SCALE DRAWING

REVISION A

NAME	SIGNATURE	DATE			
DRAWN					
CHK'D					
APPV'D					
MFG					
Q.A					
MATERIAL:			304 Stainless Steel		
WEIGHT:					

TITLE:		<h1>PushRodLock</h1>	
DWG NO.			
SCALE: 1:1		SHEET 1 OF 1	

A4