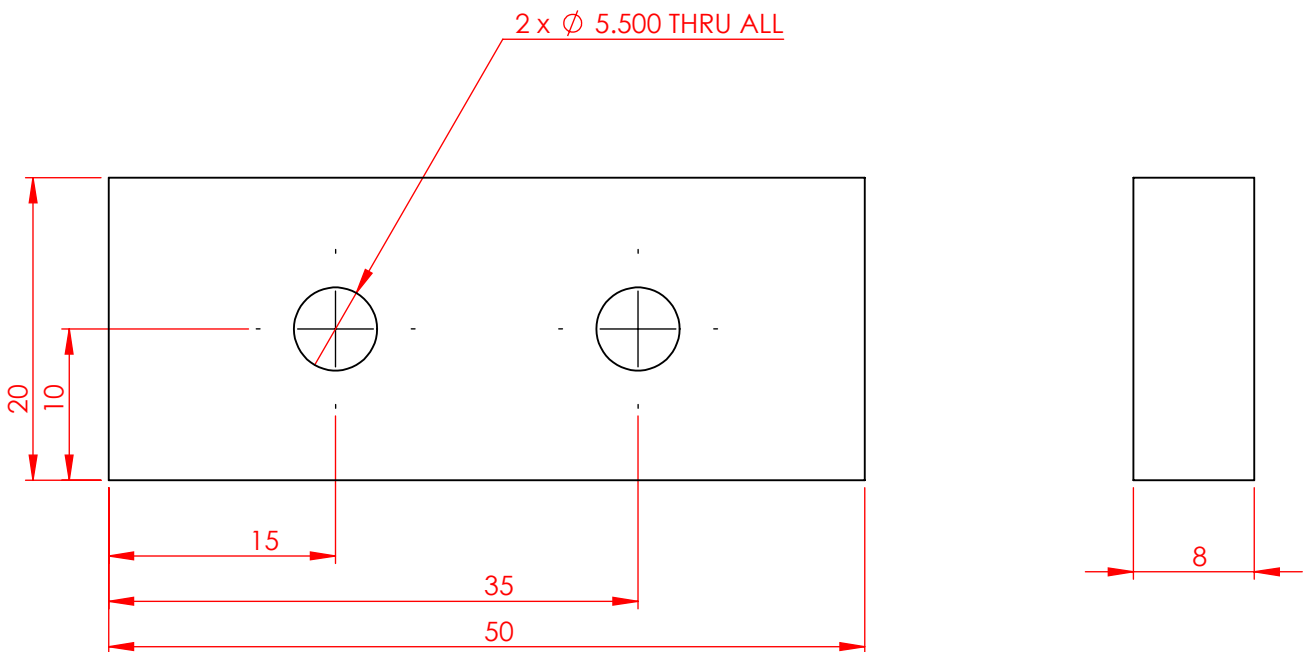


REVISIONS			
REV.	DESCRIPTION	DATE	APPROVED
A	INITIAL RELEASE	4/23/2014	RW
B	DIMENSION CHANGES	5/09/2014	RW



- NOTES:
1. ALL DIMENSIONS IN MM
 2. QTY: 2
 3. PARTS TO BE WELDED TO SUSPENSION BAR (SEE AZHF017_revB)

UNLESS OTHERWISE SPECIFIED: DIMENSIONS ARE IN MILLIMETERS SURFACE FINISH: TOLERANCES: LINEAR: ANGULAR:		FINISH:		DEBUR AND BREAK SHARP EDGES		DO NOT SCALE DRAWING		REVISION B	
DRAWN		SIGNATURE		DATE		TITLE: <h1>HangerBracket</h1>			
CHK'D						DWG NO.		A4	
APPV'D						MATERIAL: 304 Stainless Steel		AZHF016_revB	
MFG						WEIGHT:		SCALE:1:1	
Q.A								SHEET 1 OF 1	