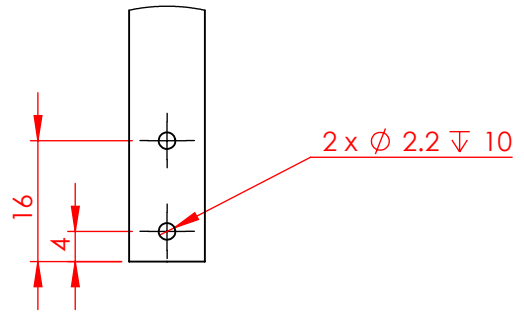
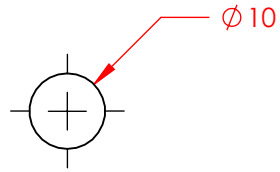
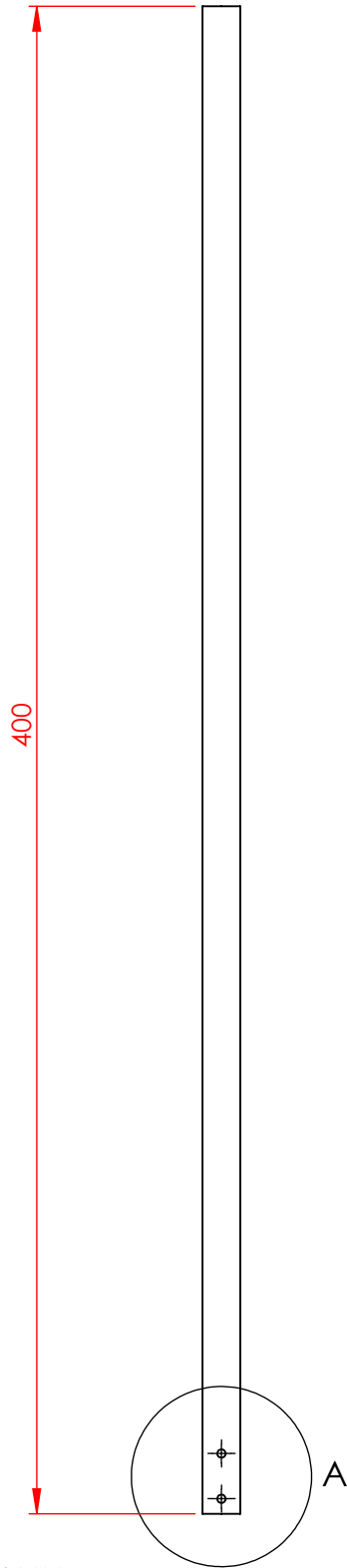


REVISIONS			
REV.	DESCRIPTION	DATE	APPROVED
A	INITIAL RELEASE	07/21/2014	RW



DETAIL A  
SCALE 1 : 1

NOTES:

1. ALL DIMENSIONS IN MM
2. QTY: 1

UNLESS OTHERWISE SPECIFIED: DIMENSIONS ARE IN MILLIMETERS SURFACE FINISH: TOLERANCES: LINEAR: ANGULAR:		FINISH:	DEBUR AND BREAK SHARP EDGES	DO NOT SCALE DRAWING	REVISION A
NAME	SIGNATURE	DATE		TITLE: <b>10mmPullRodBottom</b>	
DRAWN				DWG NO.	<b>AZHF031</b>
CHK'D					A4
APPV'D					
MFG			MATERIAL: <b>304 Stainless Steel</b>		
Q.A			WEIGHT:	SCALE:1:5	SHEET 1 OF 1