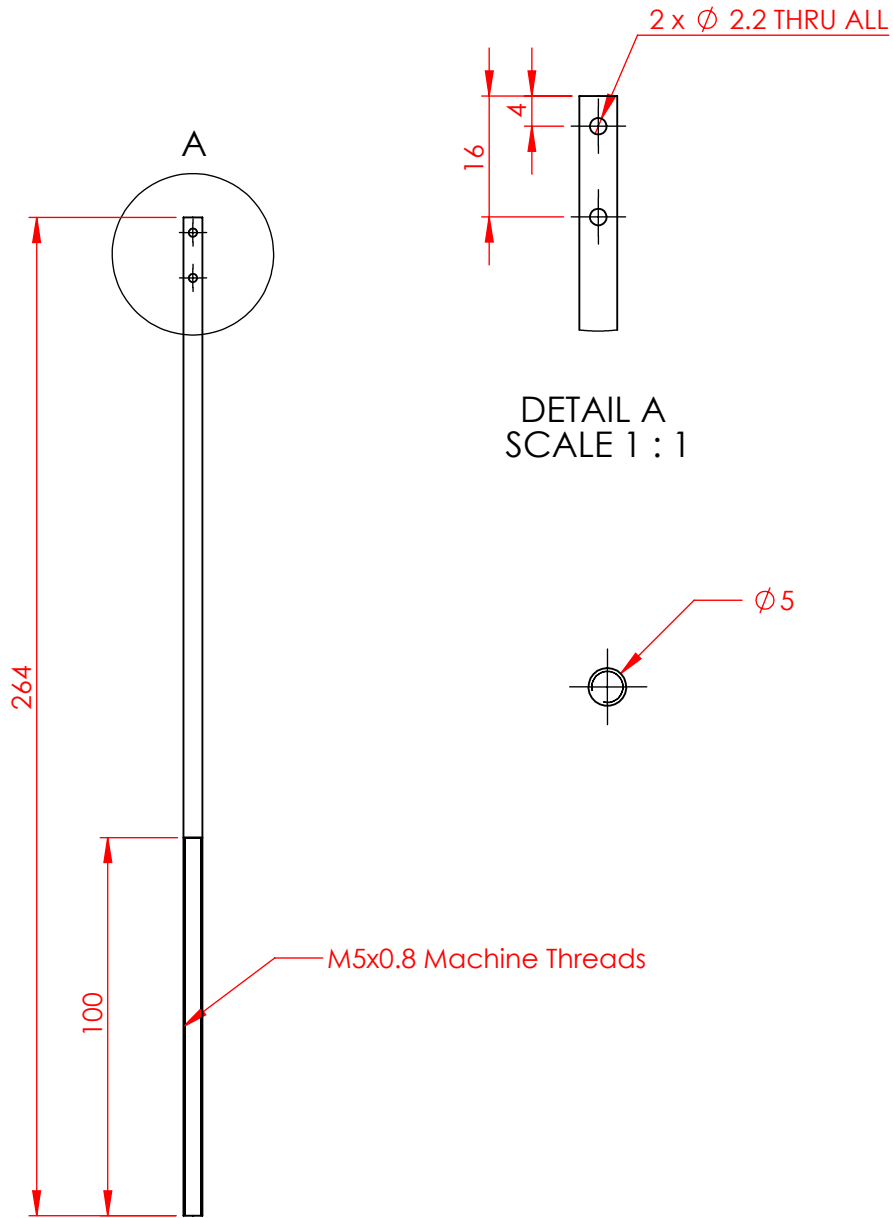


REVISIONS			
REV.	DESCRIPTION	DATE	APPROVED
A	INITIAL RELEASE	07/16/2014	RW



- NOTES:  
 1. ALL DIMENSIONS IN MM  
 2. QTY: 1

UNLESS OTHERWISE SPECIFIED: DIMENSIONS ARE IN MILLIMETERS SURFACE FINISH: TOLERANCES: LINEAR: ANGULAR:		FINISH:	DEBUR AND BREAK SHARP EDGES	DO NOT SCALE DRAWING	REVISION A
NAME	SIGNATURE	DATE		TITLE:  <b>5mm Pull Rod</b>	
DRAWN					
CHK'D					
APPV'D					
MFG					
Q.A.	MATERIAL: <b>304 Stainless Steel</b>		DWG NO.	<b>AZHF030</b>	A4
WEIGHT:			SCALE:1:2	SHEET 1 OF 1	