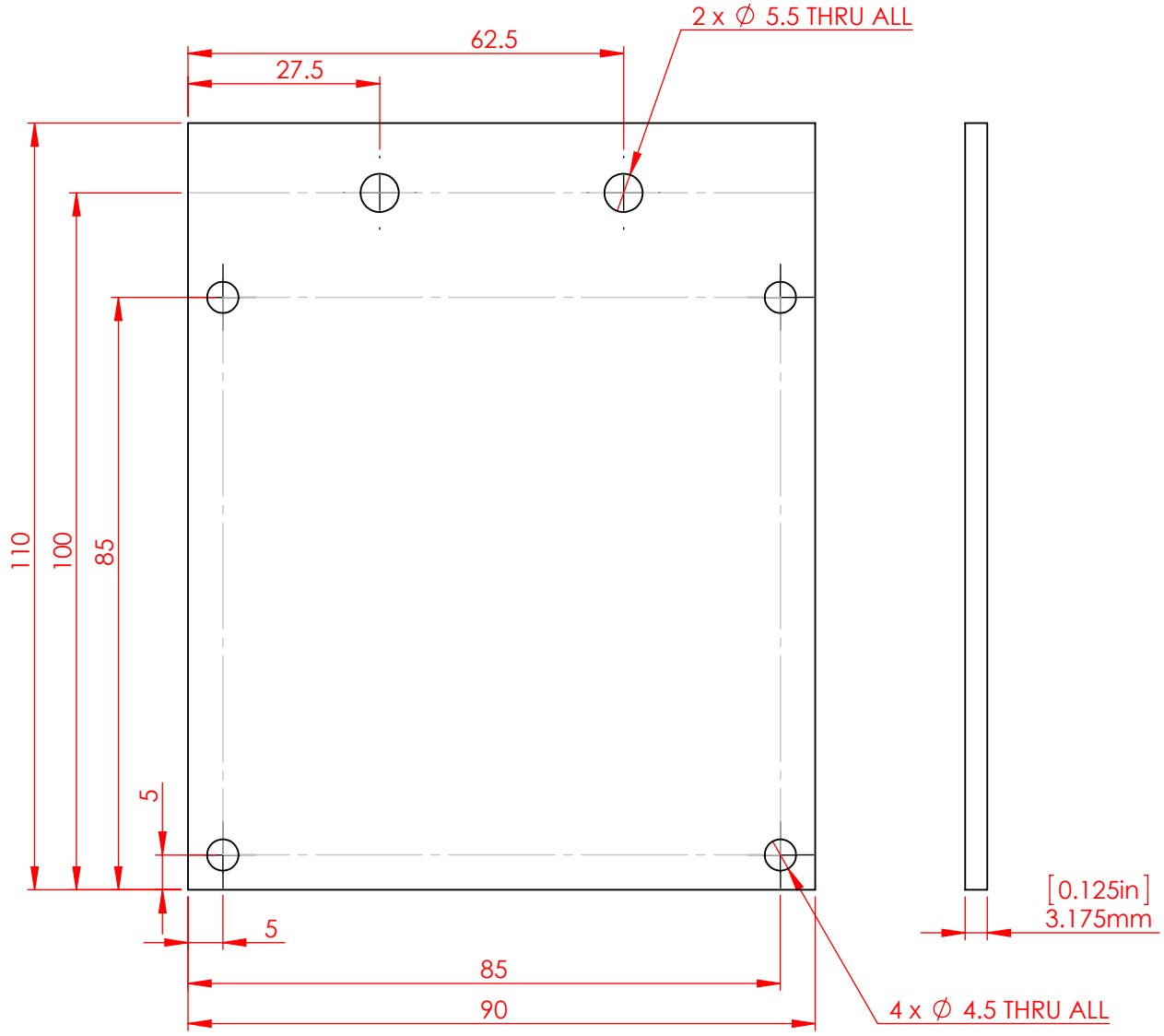


| REVISIONS |                 |            |          |
|-----------|-----------------|------------|----------|
| REV.      | DESCRIPTION     | DATE       | APPROVED |
| A         | INITIAL RELEASE | 07/16/2014 | RW       |



NOTES:

1. ALL DIMENSIONS IN MM UNLESS OTHERWISE STATED
2. QTY: 1

|   |           |         |                                       |                                   |                  |
|---|-----------|---------|---------------------------------------|-----------------------------------|------------------|
| UNLESS OTHERWISE SPECIFIED:<br>DIMENSIONS ARE IN MILLIMETERS<br>SURFACE FINISH:<br>TOLERANCES:<br>LINEAR:<br>ANGULAR: |           | FINISH: | DEBUR AND<br>BREAK SHARP<br>EDGES     | DO NOT SCALE DRAWING              | REVISION A       |
| NAME  | SIGNATURE | DATE    |                                       | TITLE:<br><h1>InsulatorPlate</h1> |                  |
| DRAWN   |           |         |                                       | DWG NO.                           | <h1>AZHF026</h1> |
| CHK'D   |           |         |                                       |                                   | A4               |
| APPV'D  |           |         |                                       |                                   |                  |
| MFG   |           |         |                                       |                                   |                  |
| Q.A   |           |         | MATERIAL:<br>G-10 CR<br>MIL-I-24768/2 | SCALE:1:2                         | SHEET 1 OF 1     |
|   |           |         | WEIGHT:                               |                                   |                  |