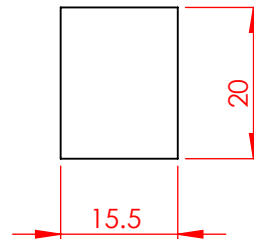
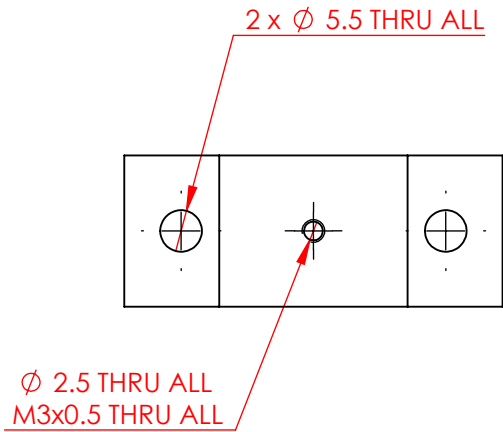
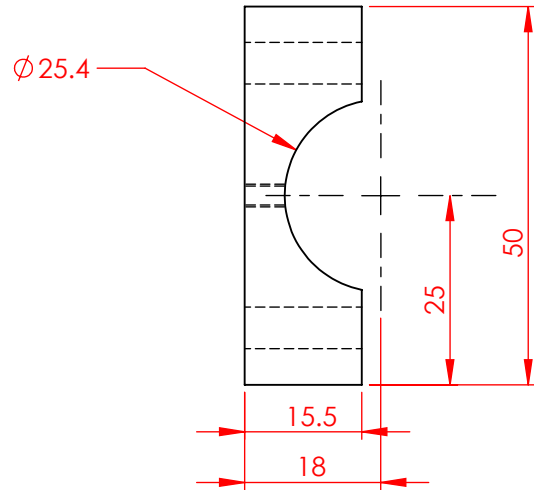


REVISIONS			
REV.	DESCRIPTION	DATE	APPROVED
A	INITIAL RELEASE	07/16/2014	RW
B	ADDED DIMENSIONS	07/21/2014	RW



- NOTES:  
 1. ALL DIMENSIONS IN MM  
 2. QTY: 1

UNLESS OTHERWISE SPECIFIED: DIMENSIONS ARE IN MILLIMETERS SURFACE FINISH: TOLERANCES: LINEAR: ANGULAR:		FINISH:	DEBUR AND BREAK SHARP EDGES		DO NOT SCALE DRAWING	REVISION B
NAME	SIGNATURE	DATE			TITLE:  <b>Clamp_SideB</b>	
DRAWN					DWG NO. <b>AZHF025</b>	
CHK'D					A4	
APPV'D					SCALE:1:1	
MFG					SHEET 1 OF 1	
Q.A			MATERIAL: <b>304 Stainless Steel</b>			
			WEIGHT:			