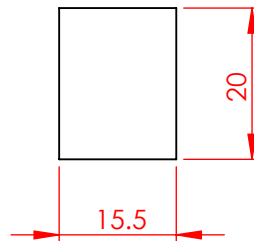
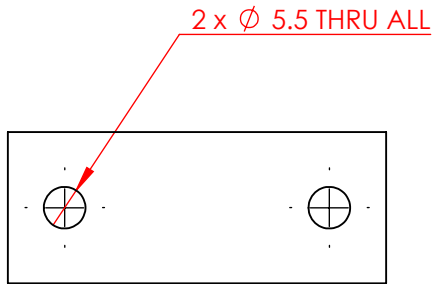
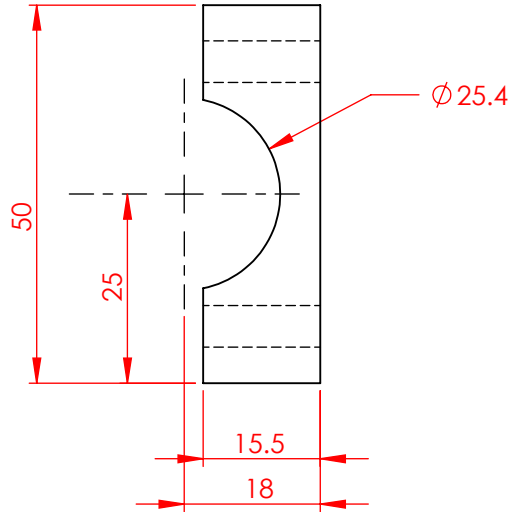


REVISIONS			
REV.	DESCRIPTION	DATE	APPROVED
A	INITIAL RELEASE	07/16/2014	RW
B	ADDED DIMENSIONS	07/21/2014	RW



NOTES:

1. ALL DIMENSIONS IN MM
2. QTY: 1

UNLESS OTHERWISE SPECIFIED: DIMENSIONS ARE IN MILLIMETERS SURFACE FINISH: TOLERANCES: LINEAR: ANGULAR:		FINISH:		DEBUR AND BREAK SHARP EDGES		DO NOT SCALE DRAWING		REVISION B	
NAME		SIGNATURE		DATE		TITLE:  <b>Clamp_SideA</b>			
DRAWN						DWG NO.		<b>AZHF024</b>	
CHK'D								A4	
APPV'D									
MFG									
Q.A				MATERIAL:  304 Stainless Steel		SCALE:1:1		SHEET 1 OF 1	
				WEIGHT:					