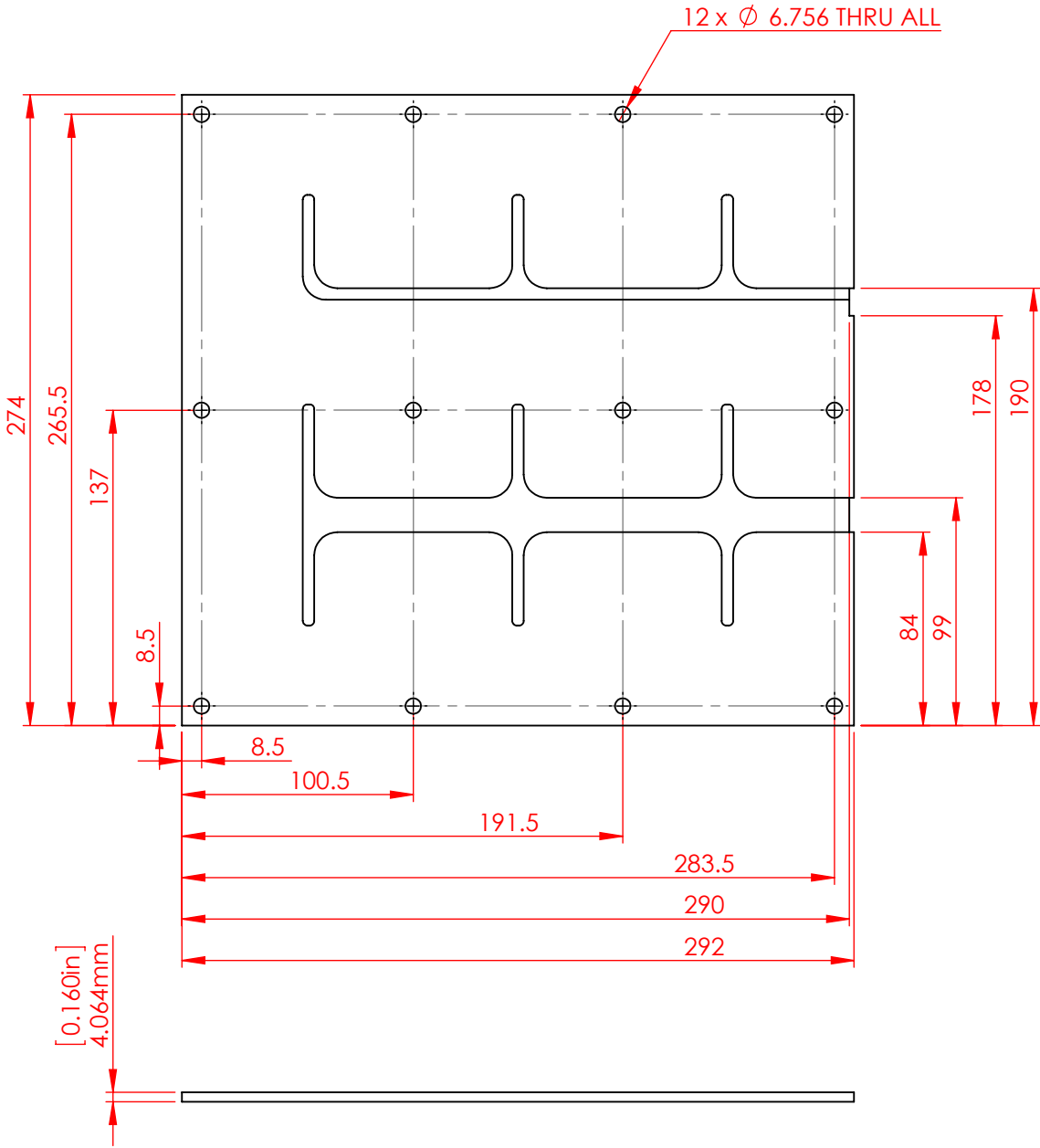


REVISIONS			
REV.	DESCRIPTION	DATE	APPROVED
A	INITIAL RELEASE	4/23/2014	RW
B	DIMENSION CHANGES/WIRE CHANNELS MOVED/MATERIAL CHANGE	5/14/2014	RW

TOP VIEW



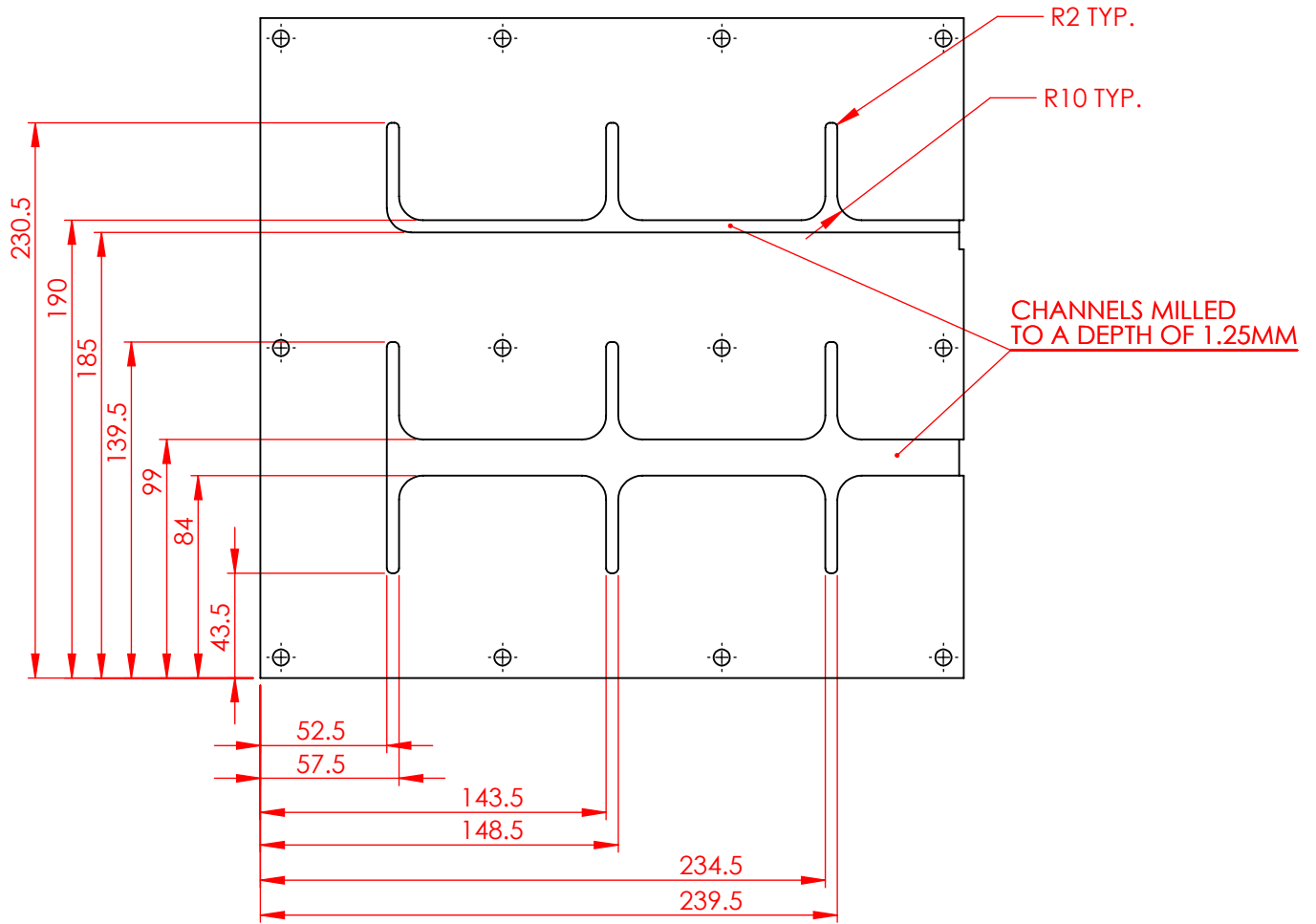
NOTES:

1. ALL DIMENSIONS IN MM UNLESS OTHERWISE STATED
2. QTY: 1

UNLESS OTHERWISE SPECIFIED: DIMENSIONS ARE IN MILLIMETERS SURFACE FINISH: TOLERANCES: LINEAR: ANGULAR:			FINISH:	DEBUR AND BREAK SHARP EDGES	DO NOT SCALE DRAWING	REVISION B
NAME	SIGNATURE	DATE	TITLE: MiddleConductorPlate			
DRAWN			DWG NO. AZHF022_revB			
CHK'D						
APPV'D			A4			
MFG						
Q.A			MATERIAL: COPPER	SCALE:1:5		SHEET 1 OF 4
			WEIGHT:			

REVISIONS			
REV.	DESCRIPTION	DATE	APPROVED
A	INITIAL RELEASE	4/23/2014	RW
B	DIMENSION CHANGES/WIRE CHANNELS MOVED/MATERIAL CHANGE	5/14/2014	RW

TOP VIEW

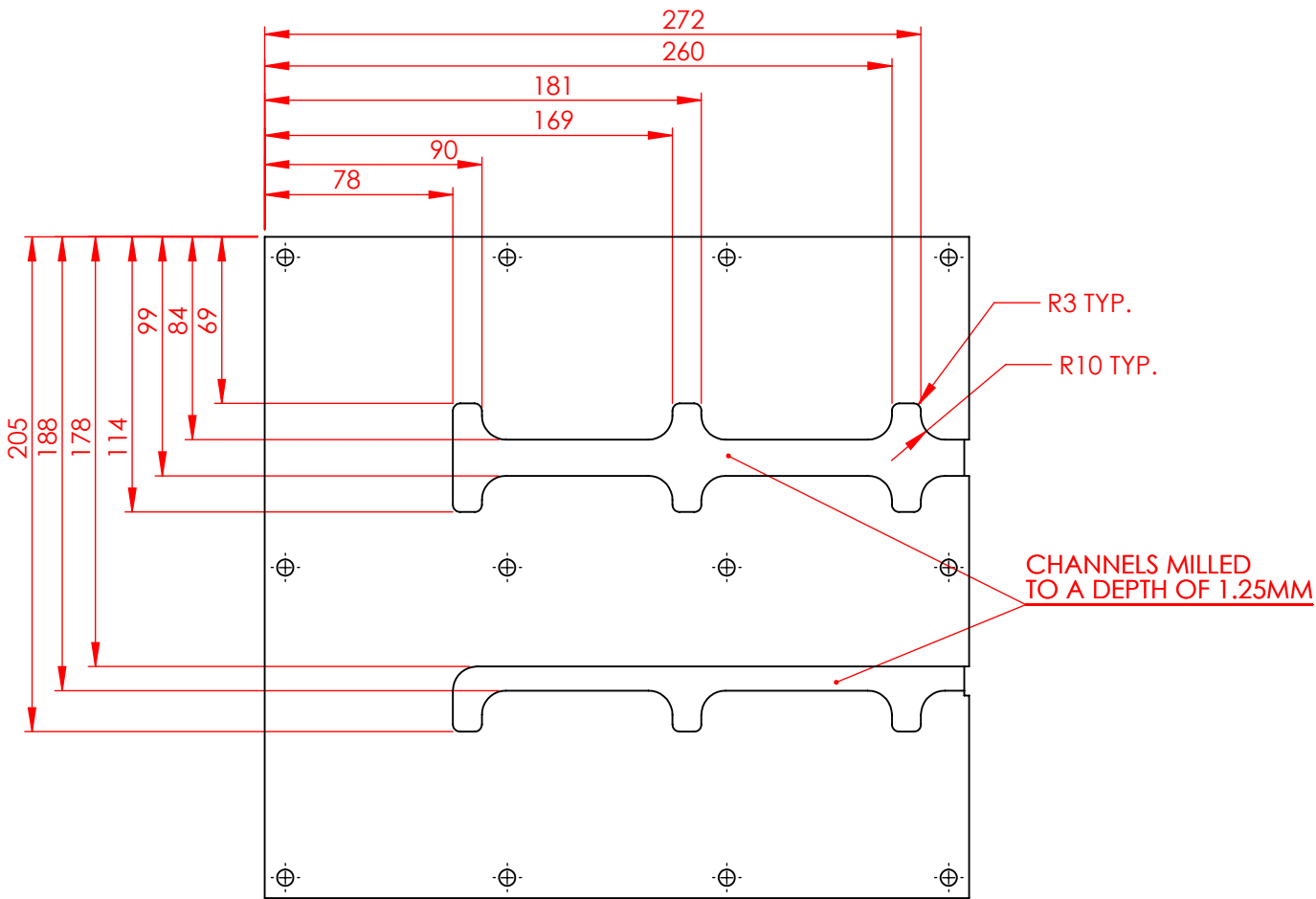


- NOTES:
 1. ALL DIMENSIONS IN MM
 2. QTY: 1

UNLESS OTHERWISE SPECIFIED: DIMENSIONS ARE IN MILLIMETERS SURFACE FINISH: TOLERANCES: LINEAR: ANGULAR:		FINISH:	DEBUR AND BREAK SHARP EDGES	DO NOT SCALE DRAWING	REVISION B
NAME	SIGNATURE	DATE		TITLE: MiddleConductorPlate	
DRAWN				DWG NO.	AZHF022_revB
CHK'D					A4
APPV'D					
MFG					
Q.A			MATERIAL: COPPER	SCALE:1:5	SHEET 2 OF 4
			WEIGHT:		

REVISIONS			
REV.	DESCRIPTION	DATE	APPROVED
A	INITIAL RELEASE	4/23/2014	RW
B	DIMENSION CHANGES/WIRE CHANNELS MOVED/MATERIAL CHANGE	5/14/2014	RW

BOTTOM VIEW

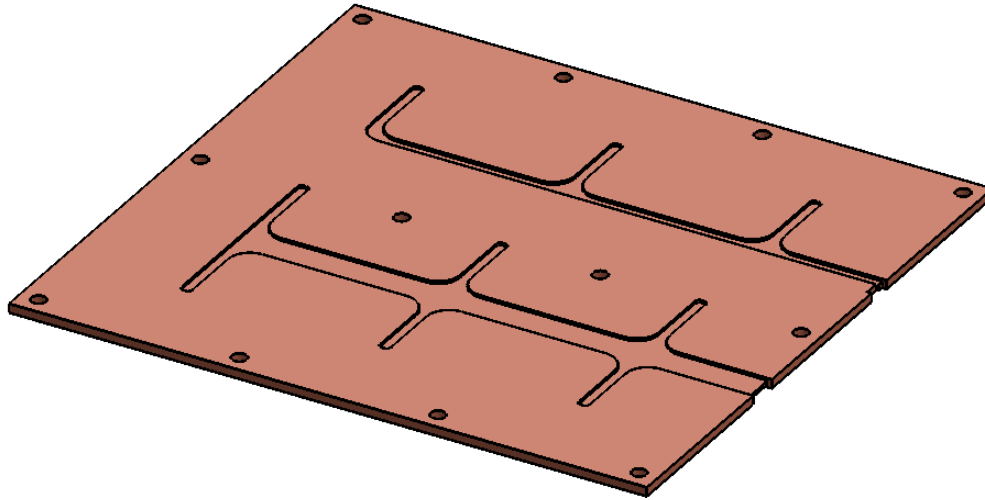


- NOTES:
 1. ALL DIMENSIONS IN MM
 2. QTY: 1

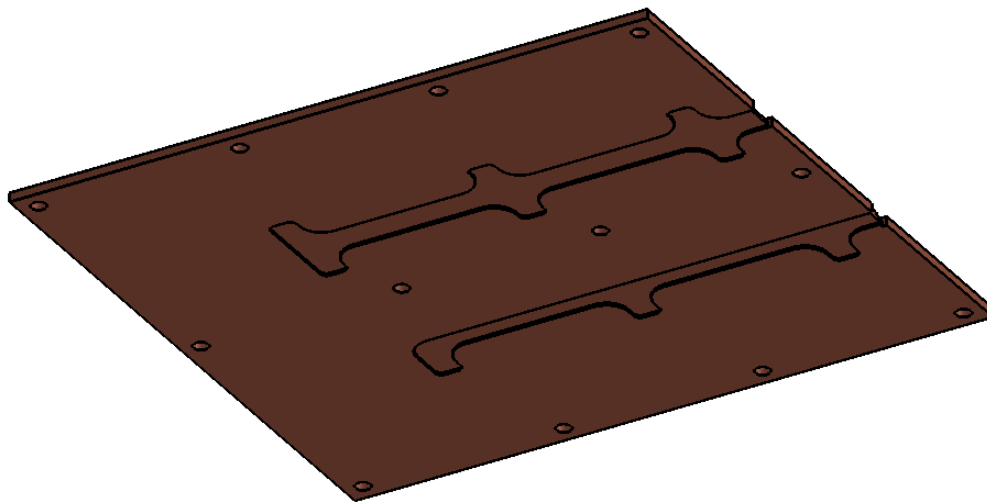
UNLESS OTHERWISE SPECIFIED: DIMENSIONS ARE IN MILLIMETERS SURFACE FINISH: TOLERANCES: LINEAR: ANGULAR:		FINISH:	DEBUR AND BREAK SHARP EDGES	DO NOT SCALE DRAWING	REVISION B
NAME	SIGNATURE	DATE		TITLE: MiddleConductorPlate	
DRAWN				DWG NO.	AZHF022_revB
CHK'D					A4
APPV'D					
MFG					
Q.A			MATERIAL: COPPER	SCALE:1:5	SHEET 3 OF 4
			WEIGHT:		

REVISIONS			
REV.	DESCRIPTION	DATE	APPROVED
A	INITIAL RELEASE	4/23/2014	RW
B	DIMENSION CHANGES/WIRE CHANNELS MOVED/MATERIAL CHANGE	5/14/2014	RW

TOP VIEW



BOTTOM VIEW



UNLESS OTHERWISE SPECIFIED: DIMENSIONS ARE IN MILLIMETERS SURFACE FINISH: TOLERANCES: LINEAR: ANGULAR:		FINISH:	DEBUR AND BREAK SHARP EDGES		DO NOT SCALE DRAWING	REVISION B
NAME	SIGNATURE	DATE	TITLE: MiddleConductorPlate			
DRAWN			DWG NO. AZHF022_revB			
CHK'D						
APPV'D						
MFG						
Q.A			MATERIAL: COPPER	SCALE:1:5		A4
WEIGHT:			SHEET 4 OF 4			