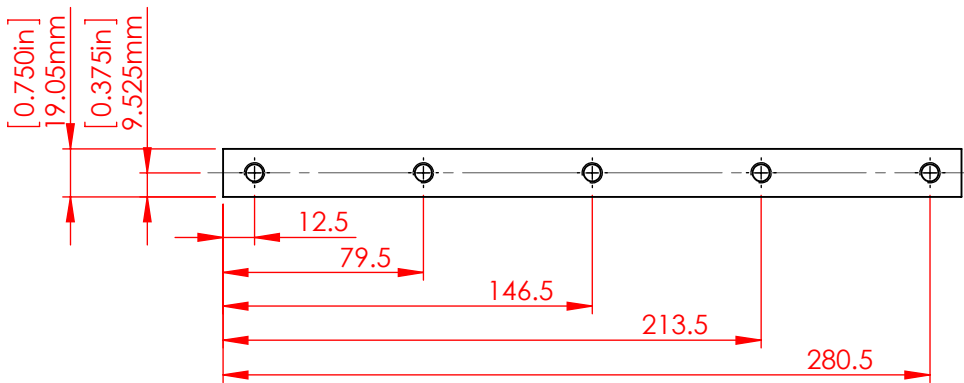
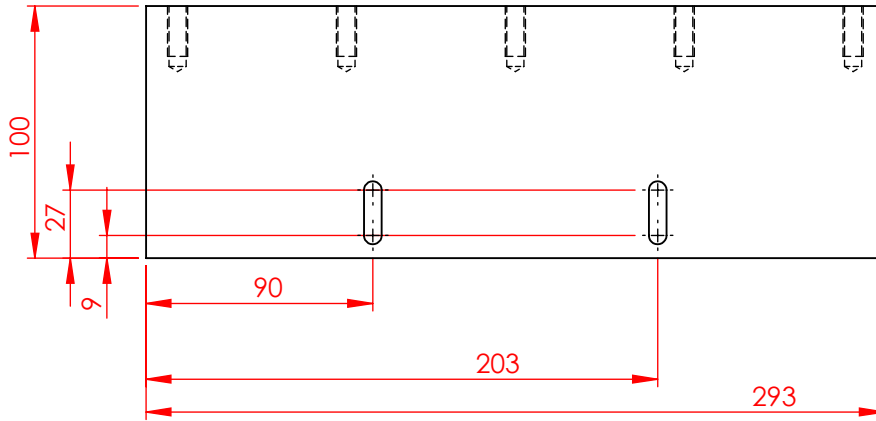


REVISIONS			
REV.	DESCRIPTION	DATE	APPROVED
A	INITIAL RELEASE	4/23/2014	RW
B	TITLE CHANGE/DIMESION CHANGES	5/09/2014	RW



NOTES:

1. DIMENSIONS IN MM UNLESS OTHERWISE NOTED.
2. QTY: 2

UNLESS OTHERWISE SPECIFIED: DIMENSIONS ARE IN MILLIMETERS SURFACE FINISH: TOLERANCES: LINEAR: ANGULAR:		FINISH:	DEBUR AND BREAK SHARP EDGES	DO NOT SCALE DRAWING	REVISION B
NAME	SIGNATURE	DATE		<p style="font-size: 2em; text-align: center;">EdgeSupportEnd</p>	
DRAWN					
CHK'D					
APPV'D					
MFG					
Q.A			MATERIAL: G-10 CR MIL-I-24768/2	DWG NO. AZHF009_revB	A4
			WEIGHT:	SCALE:1:5	SHEET 1 OF 1