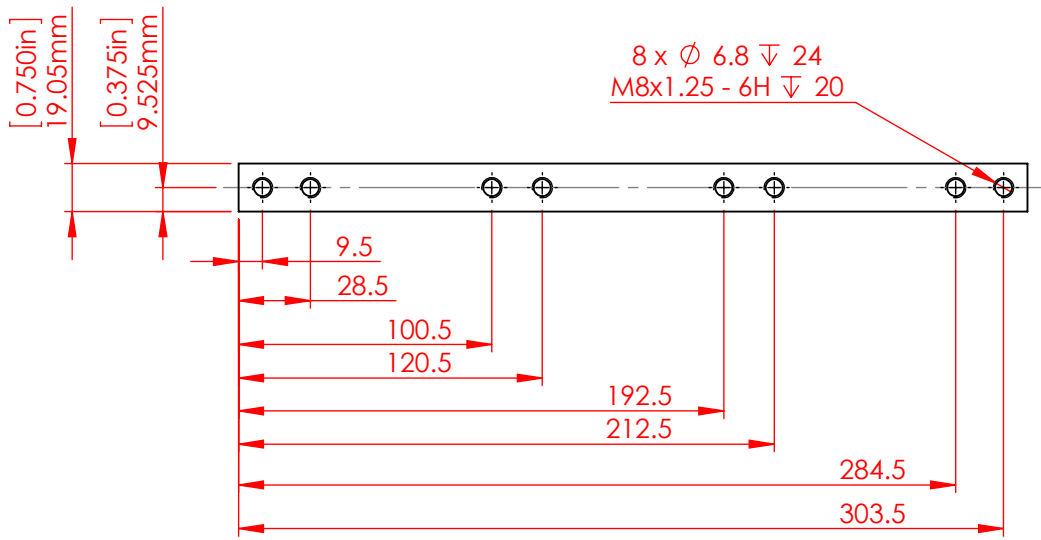
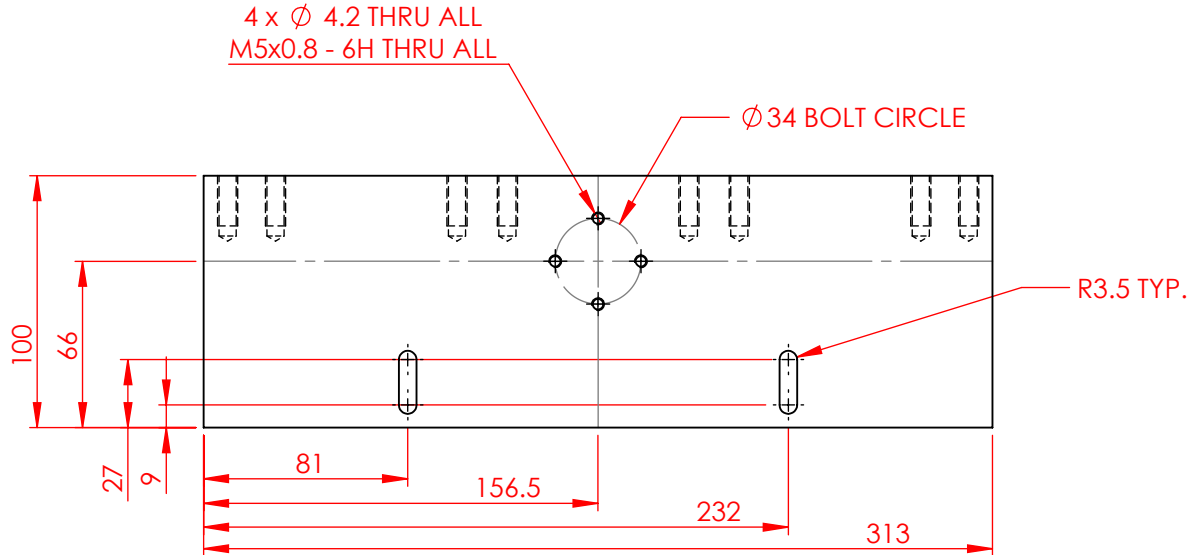


REVISIONS			
REV.	DESCRIPTION	DATE	APPROVED
A	INITIAL RELEASE	4/23/2014	RW
B	DIMENSION CHANGES/BOLT CIRCLE ADDED	5/06/2014	RW



- NOTES:
1. DIMENSIONS IN MM UNLESS OTHERWISE NOTED.
 2. QTY: 2

UNLESS OTHERWISE SPECIFIED: DIMENSIONS ARE IN MILLIMETERS SURFACE FINISH: TOLERANCES: LINEAR: ANGULAR:		FINISH:	DEBUR AND BREAK SHARP EDGES	DO NOT SCALE DRAWING	REVISION	B
NAME	SIGNATURE	DATE		<p>TITLE:</p> <h1>EdgeSupportSide</h1> <p>DWG NO. AZF007_revB</p> <p>SCALE: 1:5</p> <p>SHEET 1 OF 1</p>		
DRAWN						
CHK'D						
APPV'D						
MFG						
Q.A			MATERIAL: G-10 CR MIL-I-24768/2			A4
			WEIGHT:			