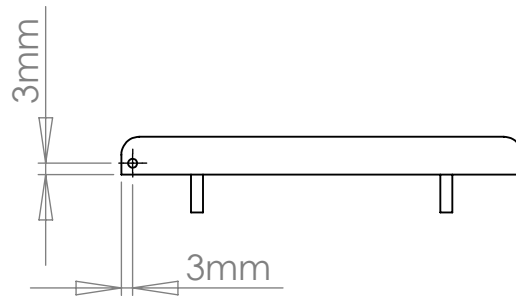
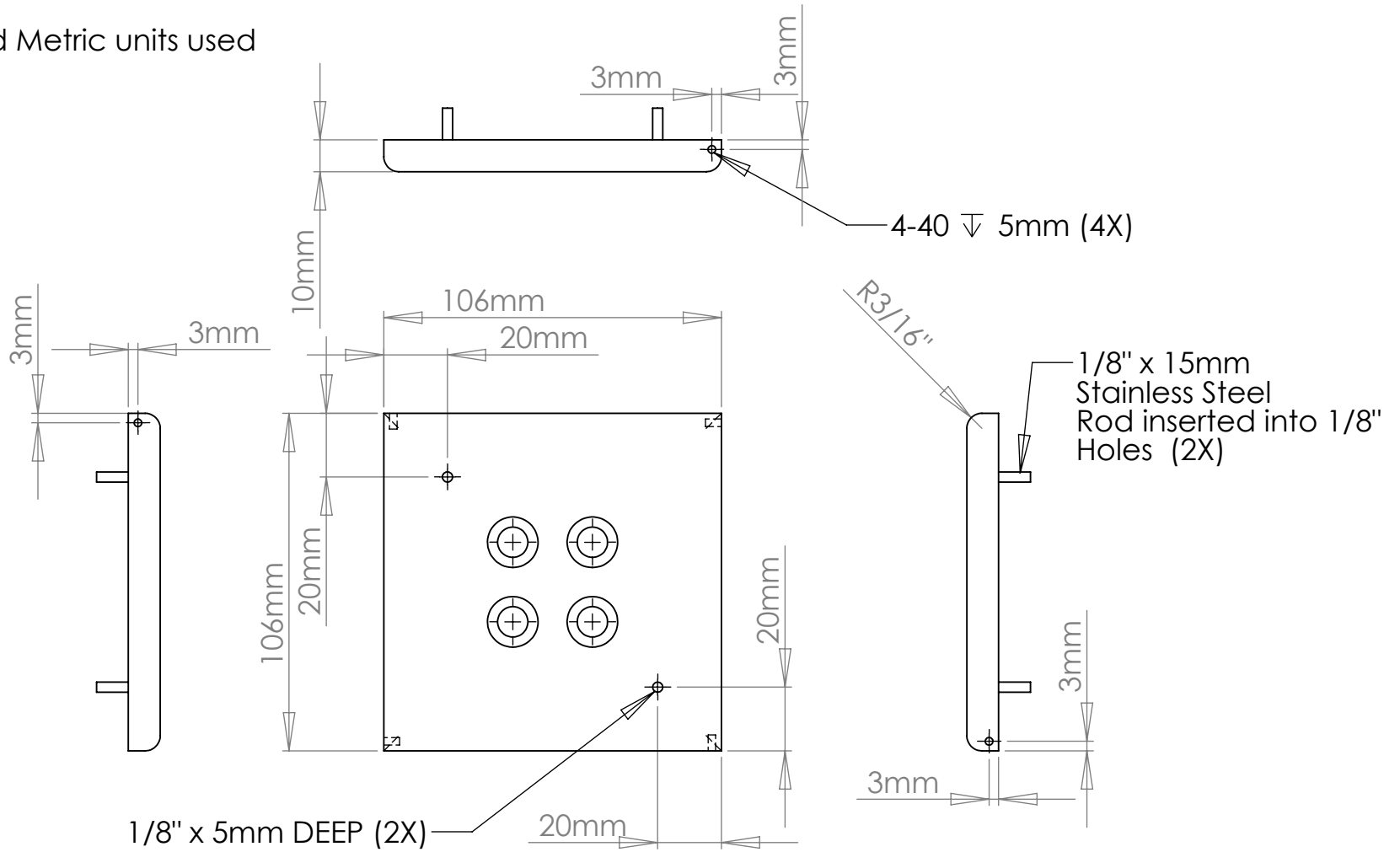
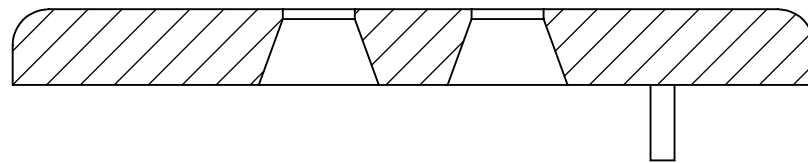
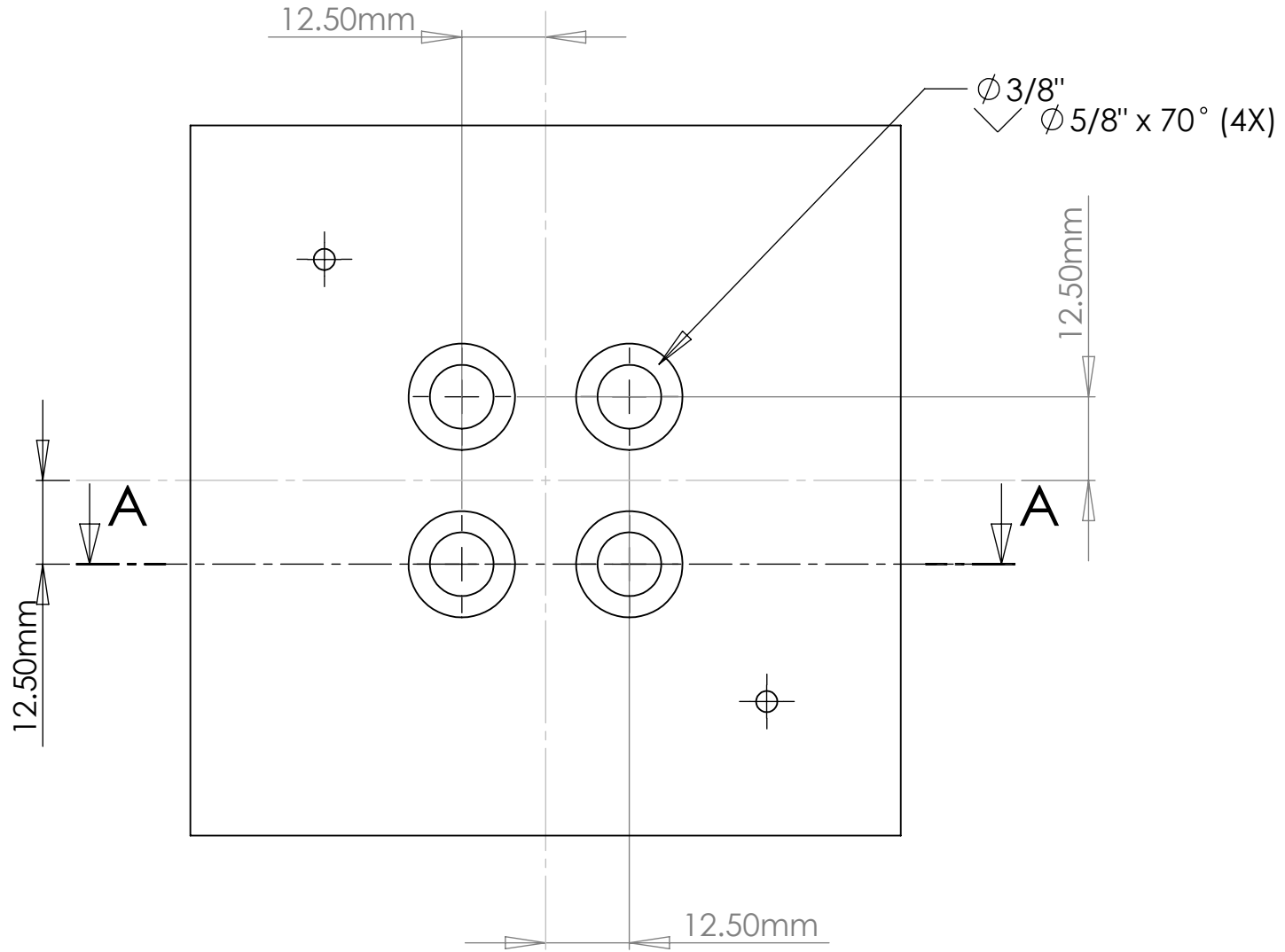


Note: English and Metric units used



Top Ground Plate
Brass
Quantity: 1
Page: 1 of 2

Note: English and Metric units used



SECTION A-A

Top Ground Plate
Brass
Quantity: 1
Page: 2 of 2