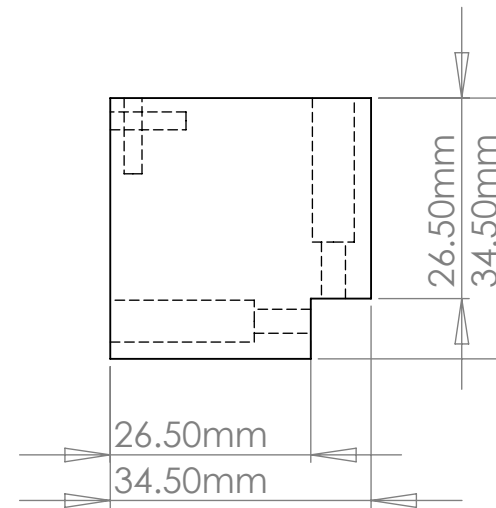
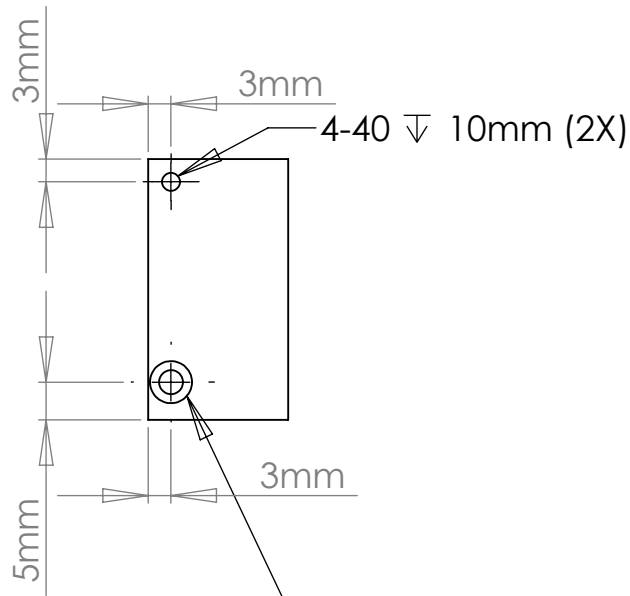
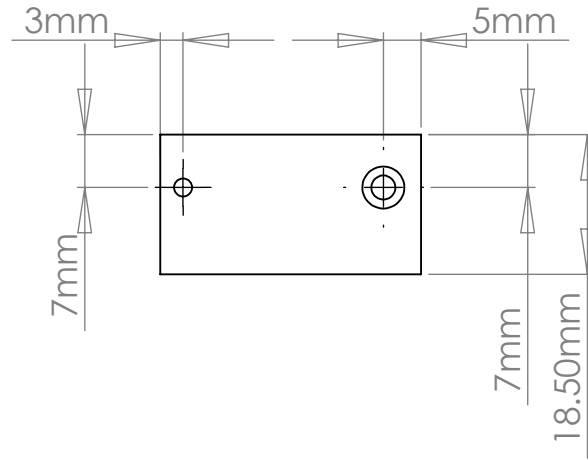
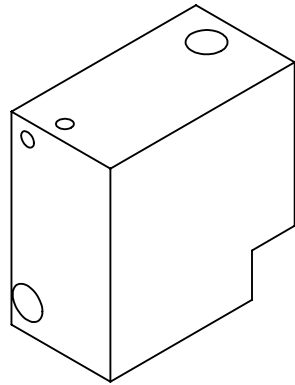


- Note: 1. Hole Dimensions in English units  
 2. Holes line up with Bracket and Bottom Ground Plate



1/8" DRILL - 7/32" CBORE, 3/4" DEEP (2X)

Bracket Spacer  
 G10  
 Quantity: 4