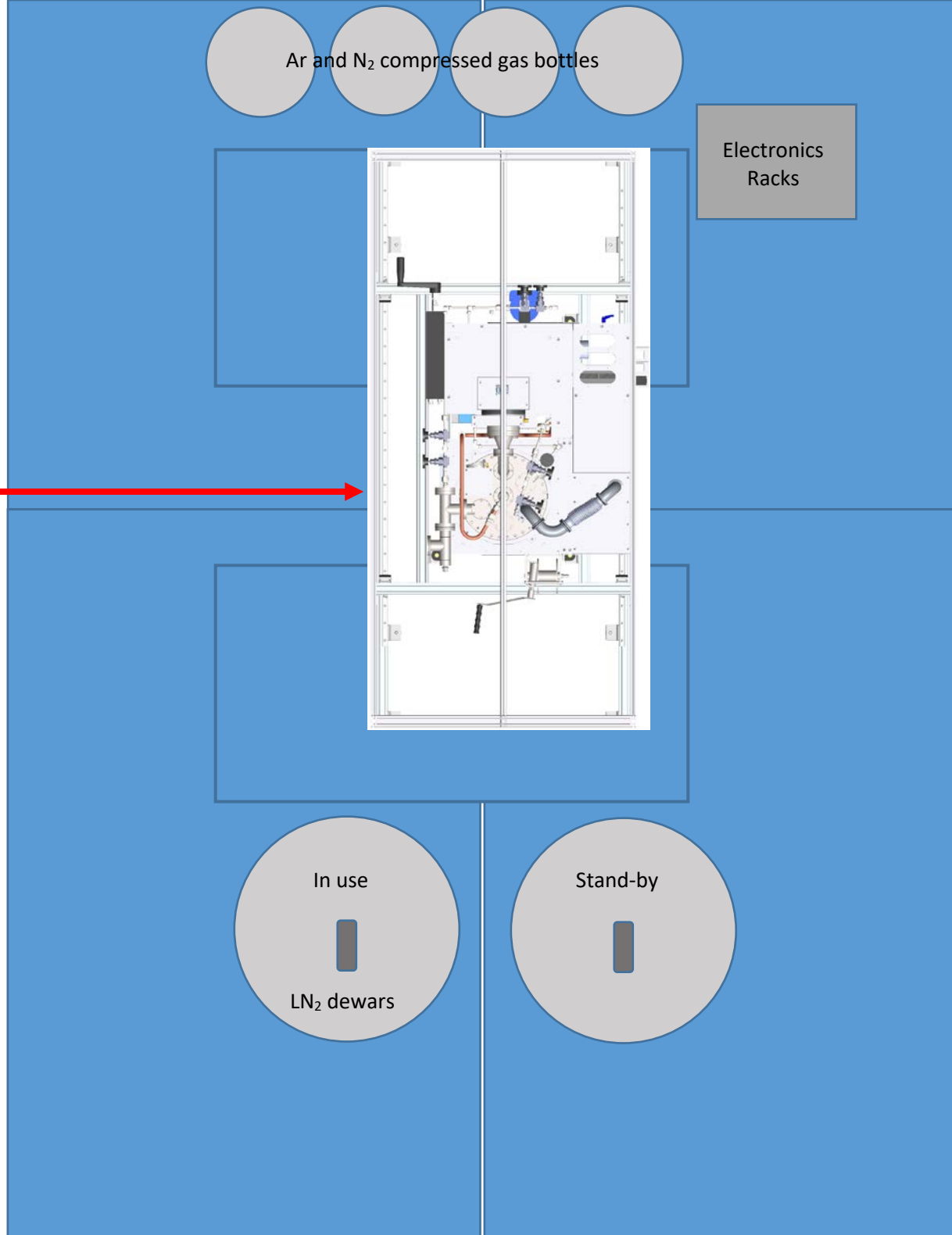
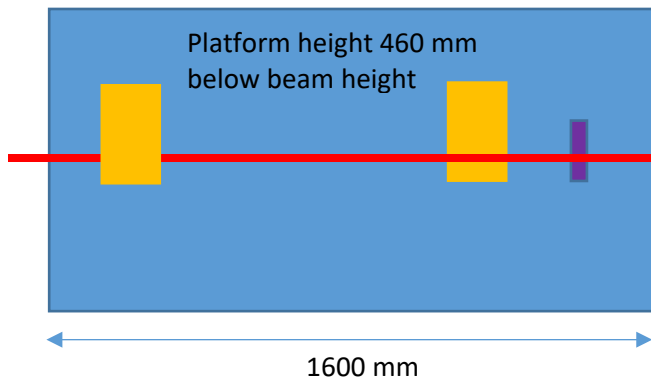
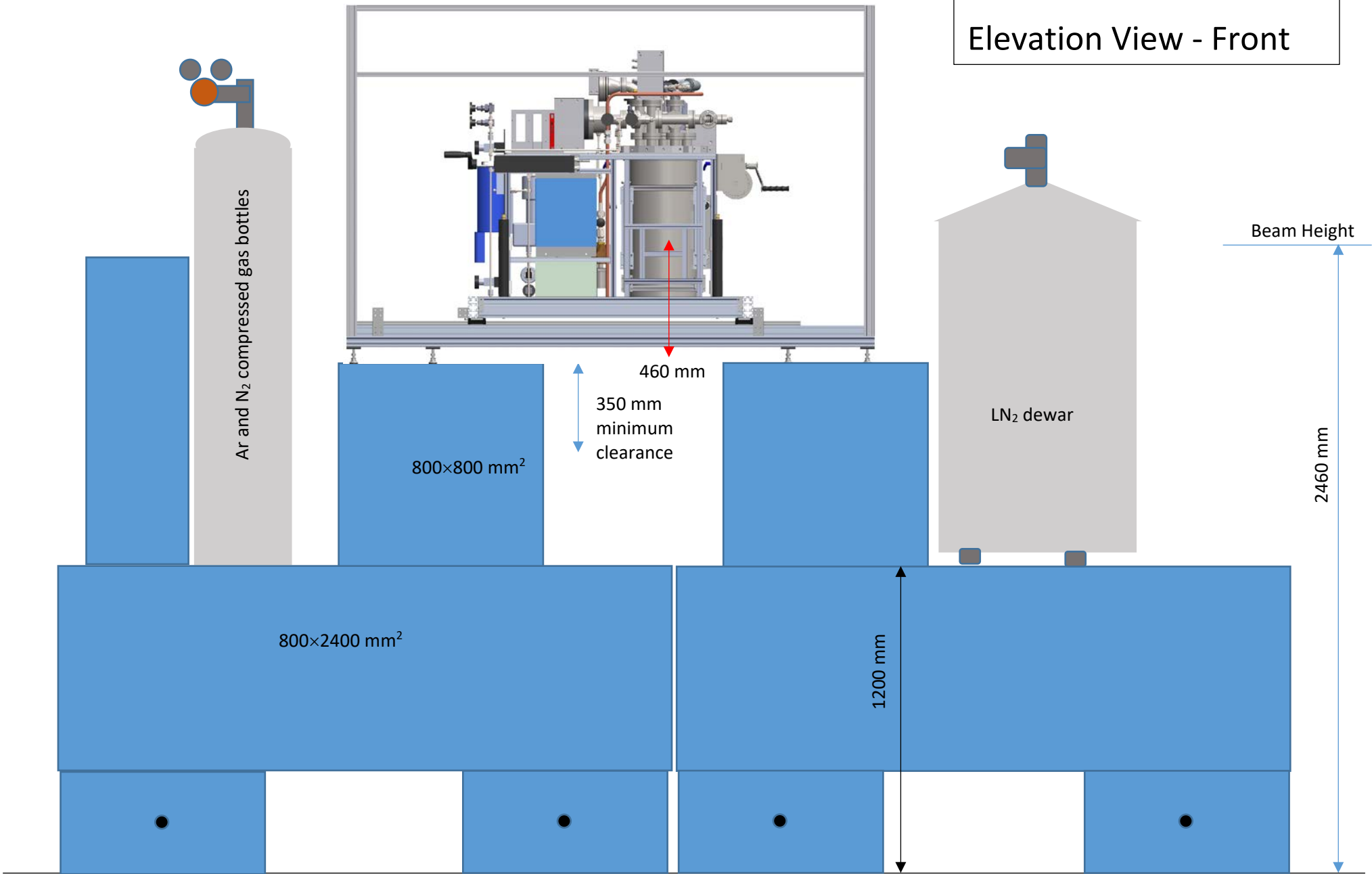


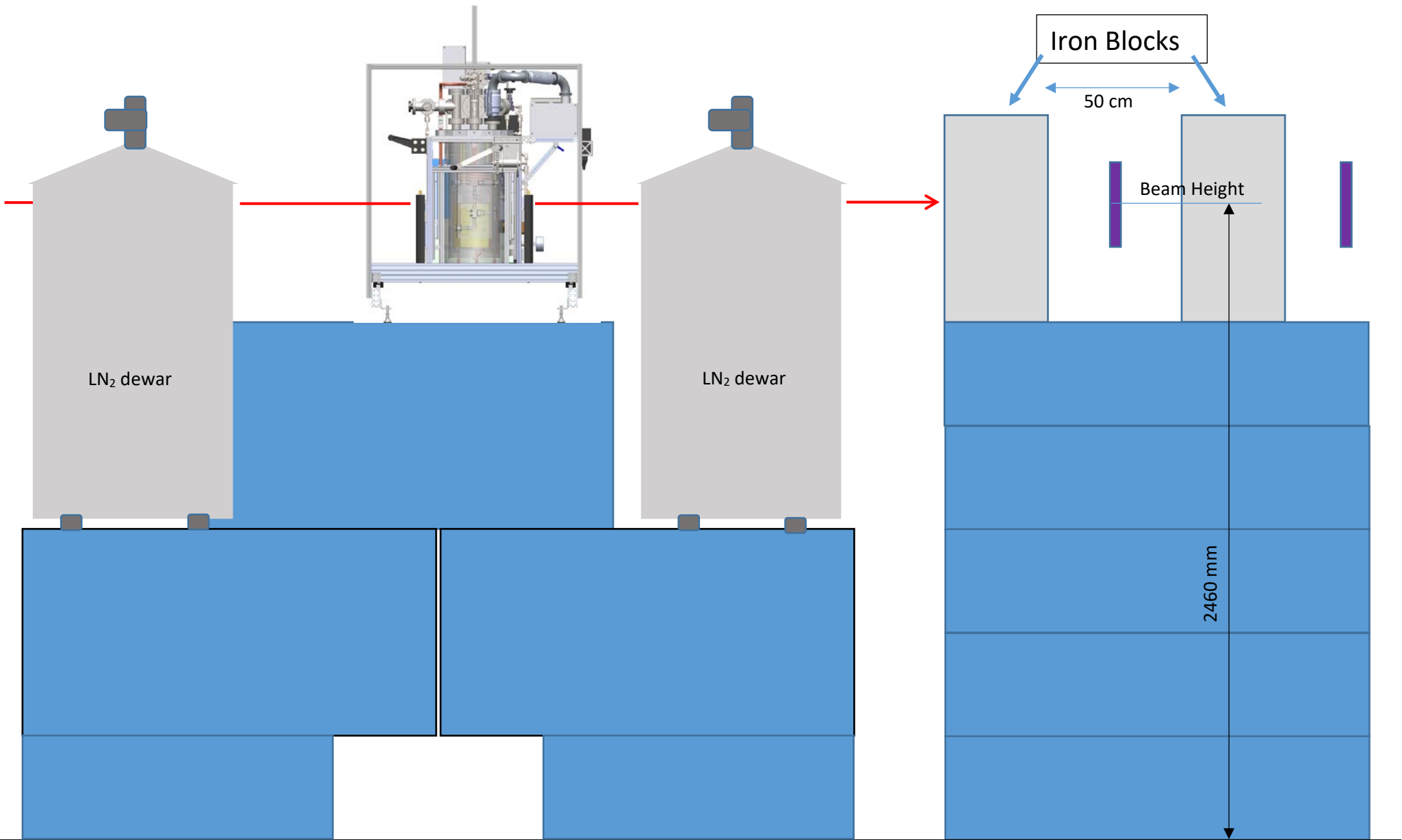
FCalPulse in H2 172 PPE Plan View

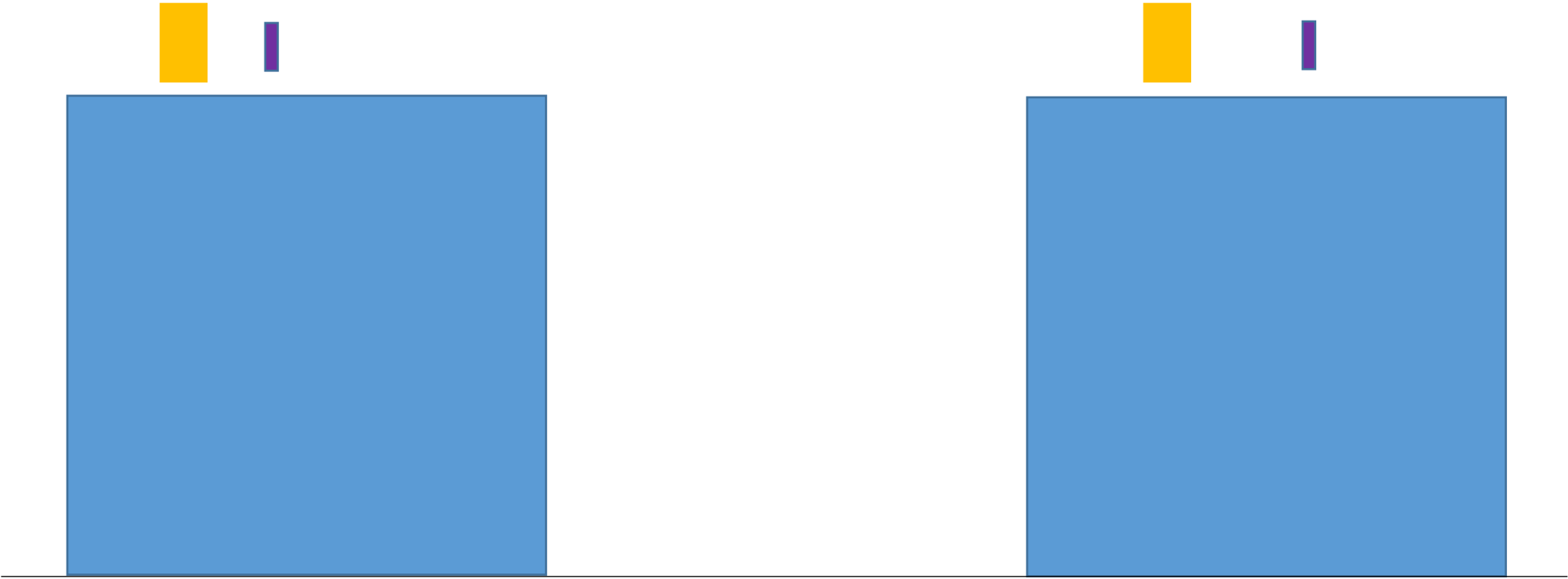


FCalPulse in H2 172 PPE
Elevation View - Front

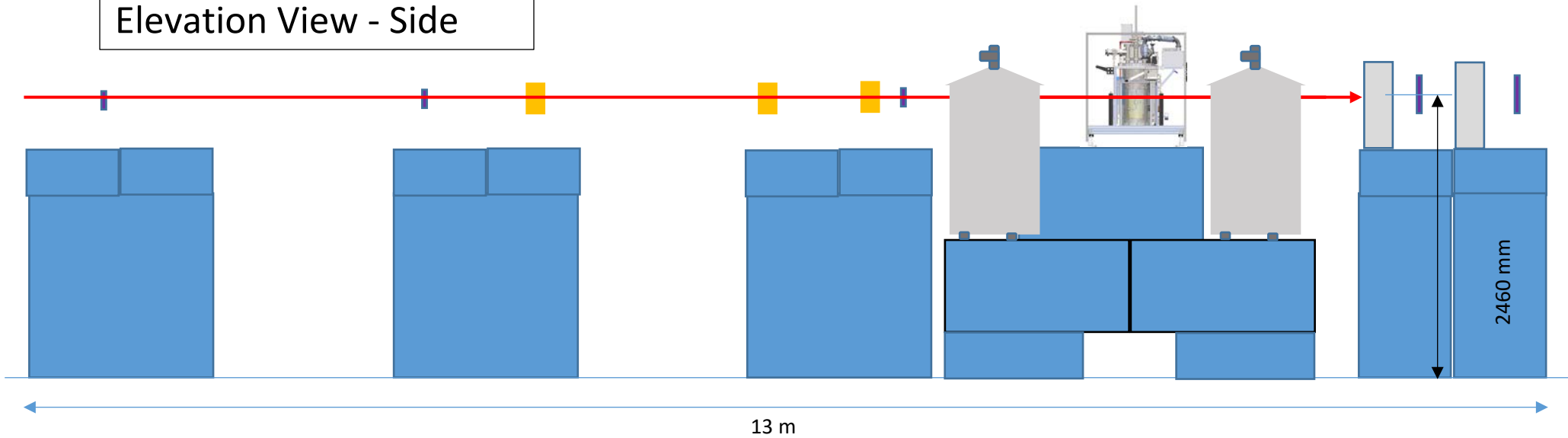


FCalPulse in H2 172 PPE
Elevation View - Side

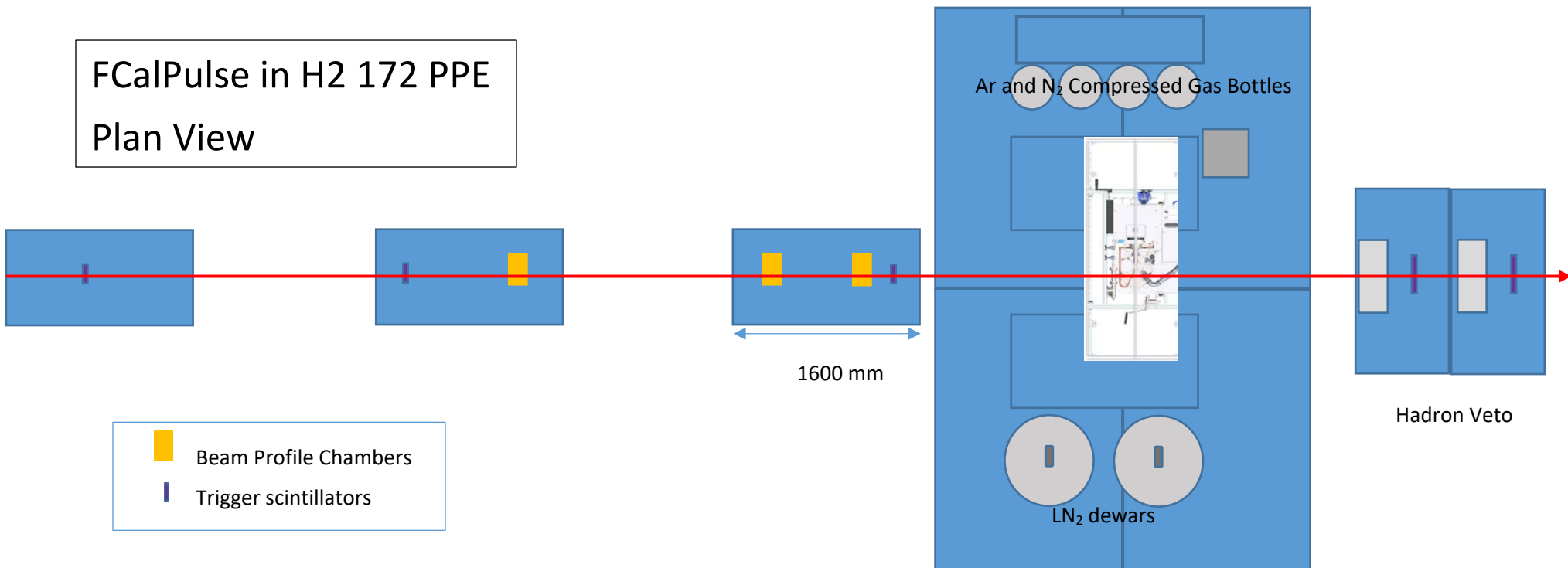




FCalPulse in H2 172 PPE
Elevation View - Side



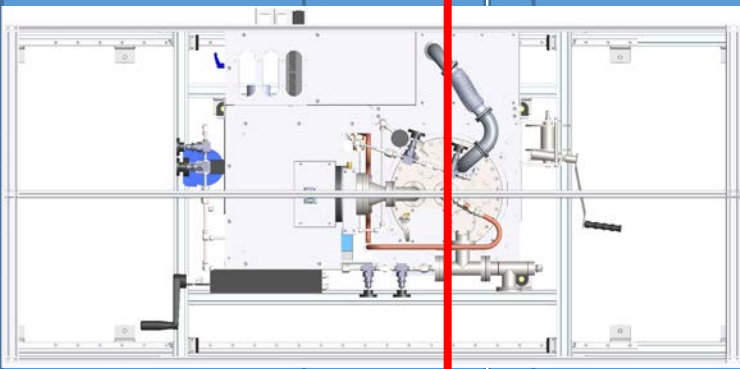
FCalPulse in H2 172 PPE
Plan View



Patch Panel

Ar and N₂ compressed gas bottles

Electronics Rack



In use

Stand-by
LN₂ dewars