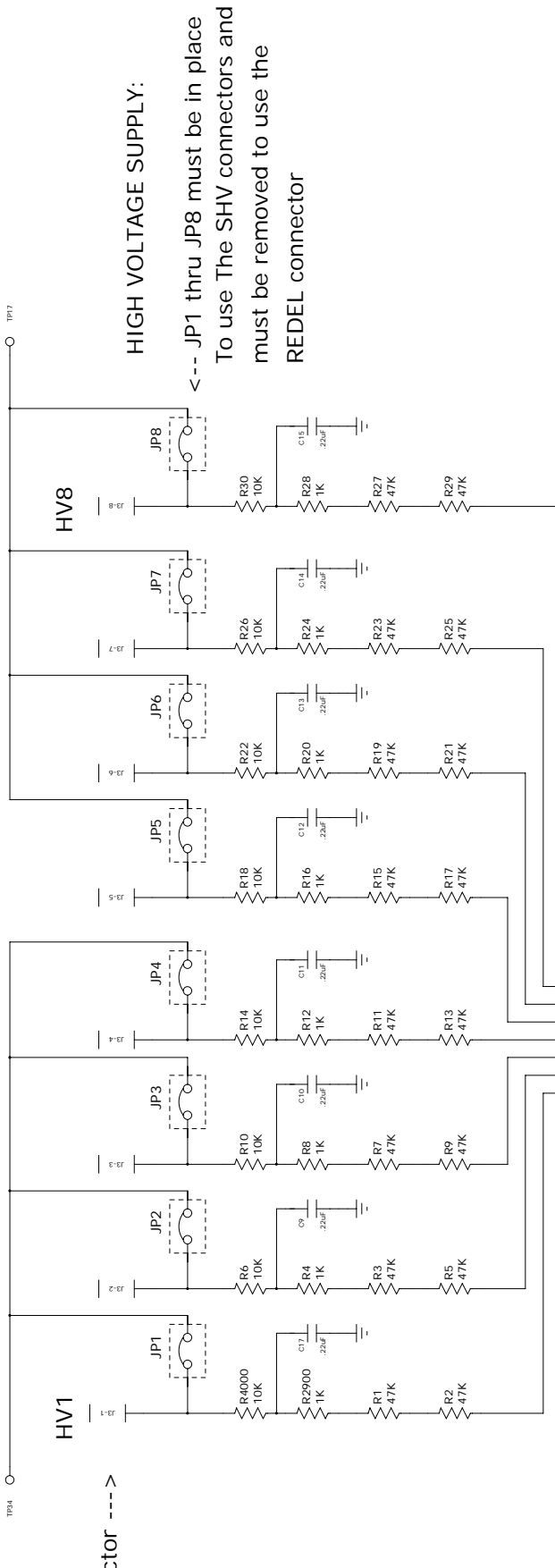
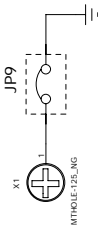


SHV connector

SHV connector



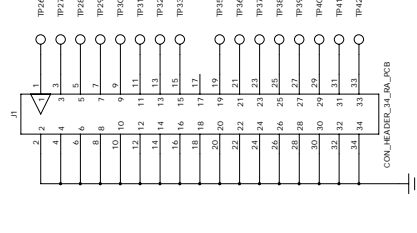
HIGH VOLTAGE SUPPLY:
 <--- JP1 thru JP8 must be in place
 To use The SHV connectors and
 must be removed to use the
 REDEL connector



REDEL Connector --->



Input



output

