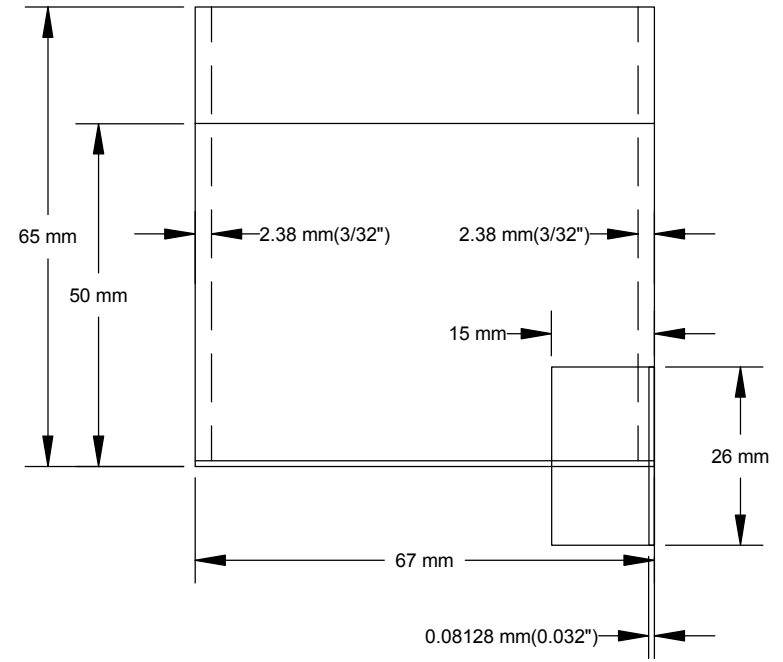
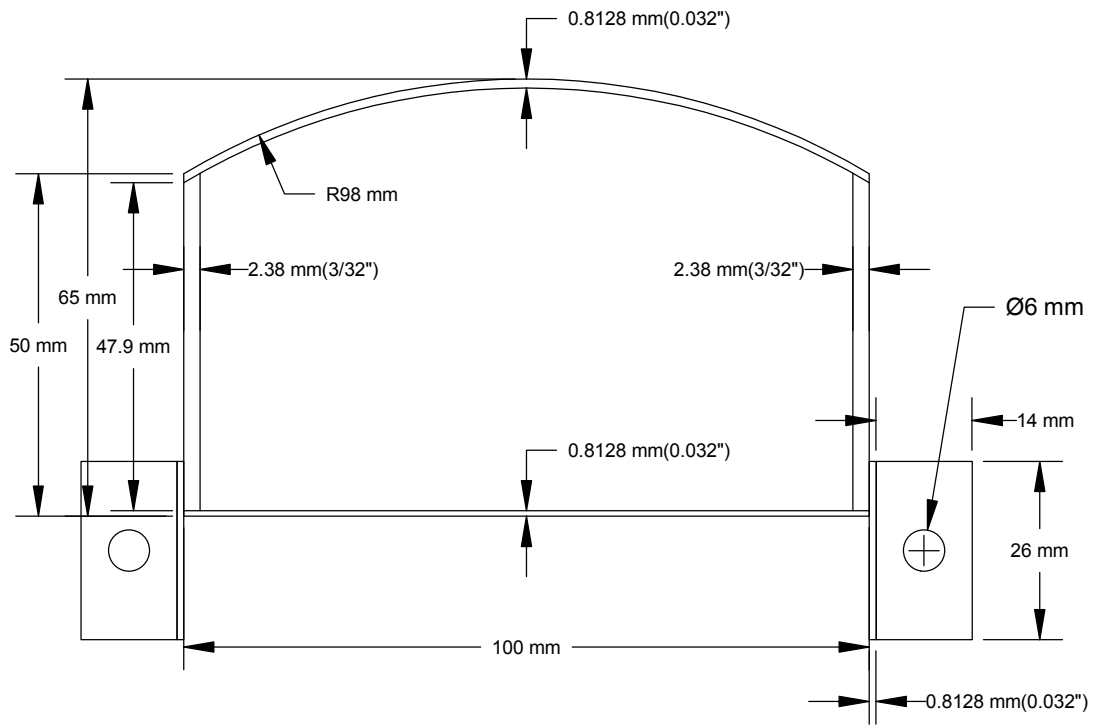


Notes:

1. Material = Stainless Steel

REVISIONS

REV.	DESCRIPTION	BY	DATE
A	Initial Release	RW	8/25/06
B	Add Feedthru tube	RW	8/26/06
C	Production Dimensions, Removed Feedthru, Added mounting brackets	RW	9/15/06



University of Arizona Physics Dept.

TITLE  
2D Liquid Argon Excluders (FCalchik)

Robert Walker	SIZE	CAGE CODE	DWG NO	REV
8/25/2006			TP-02-00	C
	SCALE	None	SHEET	1 of 2